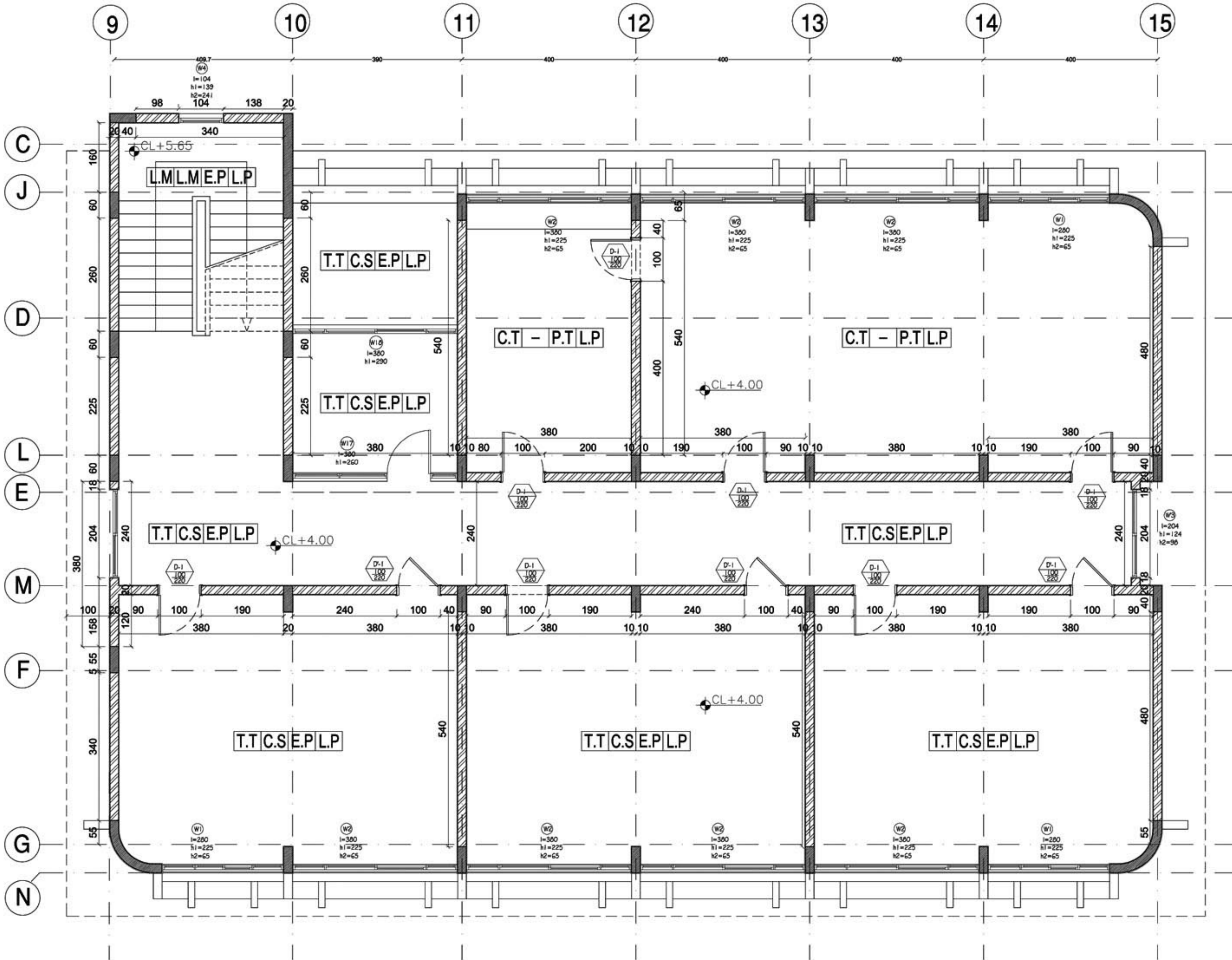


# BLOCKWORK MODEL

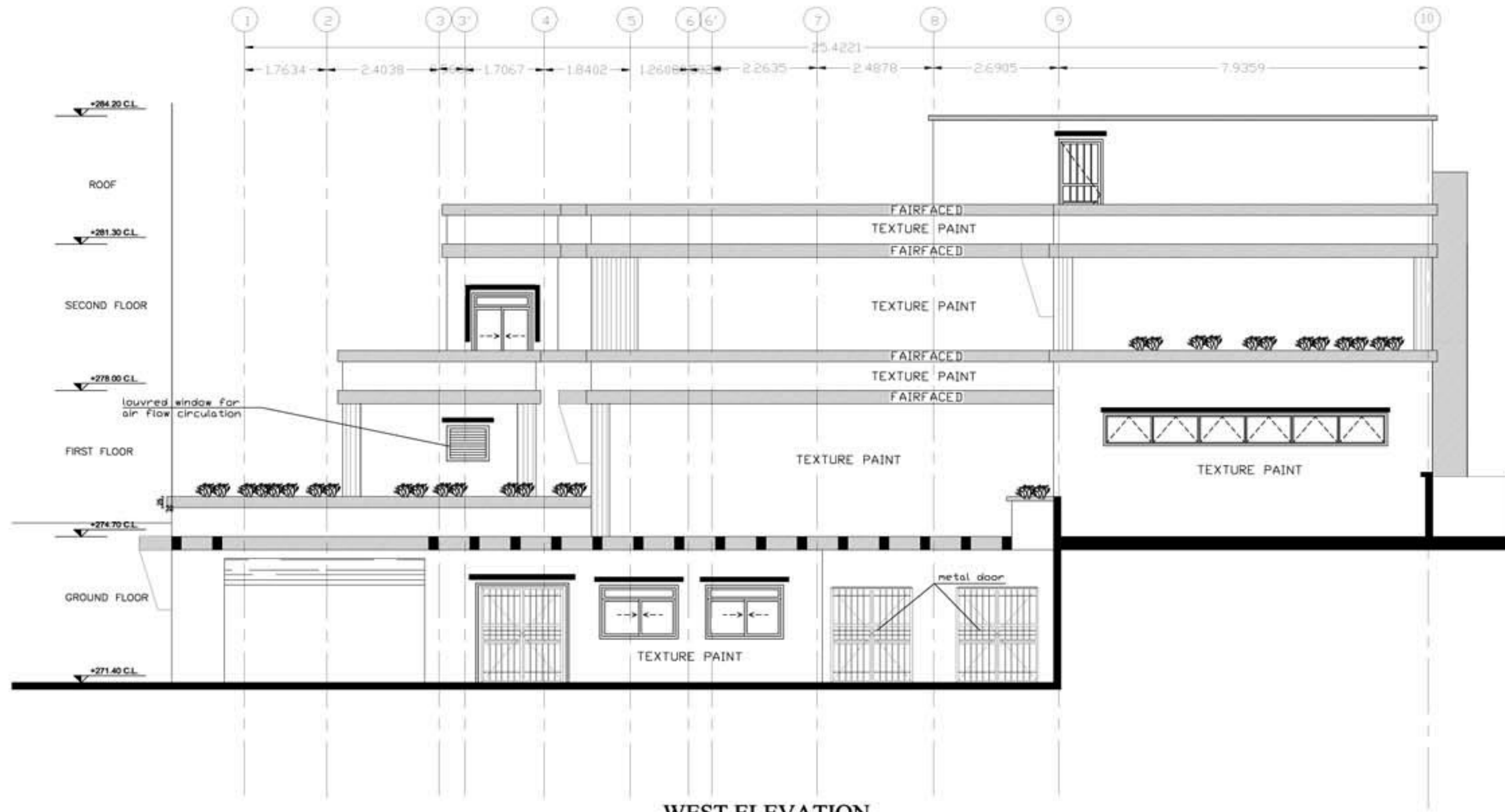


$\frac{W_i}{H_i}$   
 $\frac{H}{H_1}$   
 wi: window number  
 H: window's width  
 H1: window's height

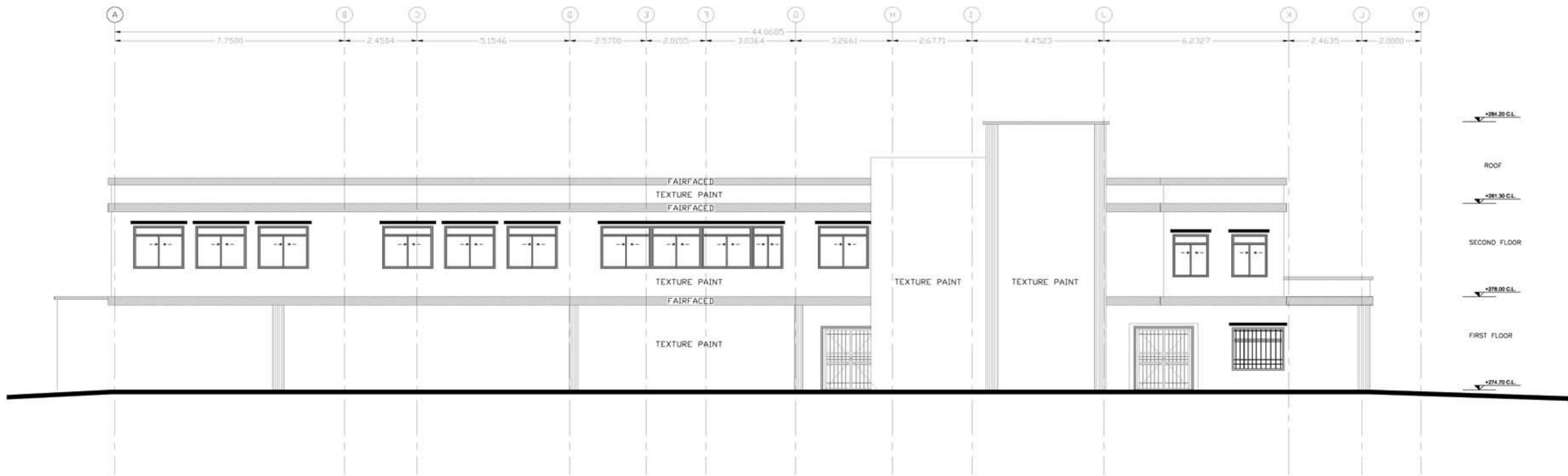
$\frac{D_i}{x}$   
 Di: door number  
 x: door's width  
 y: door's height

S.L : sill level

# ELEVATION MODEL



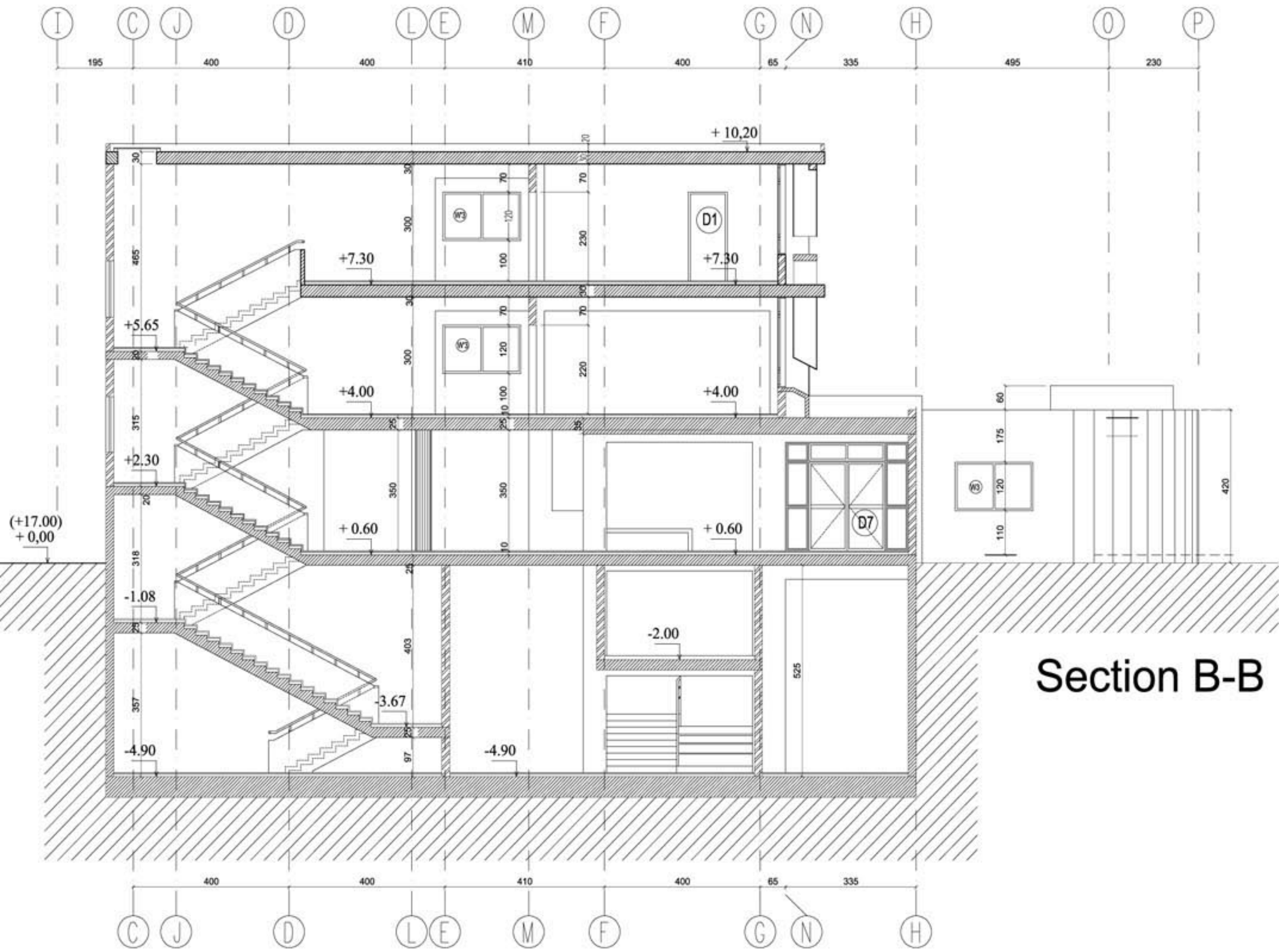
WEST ELEVATION



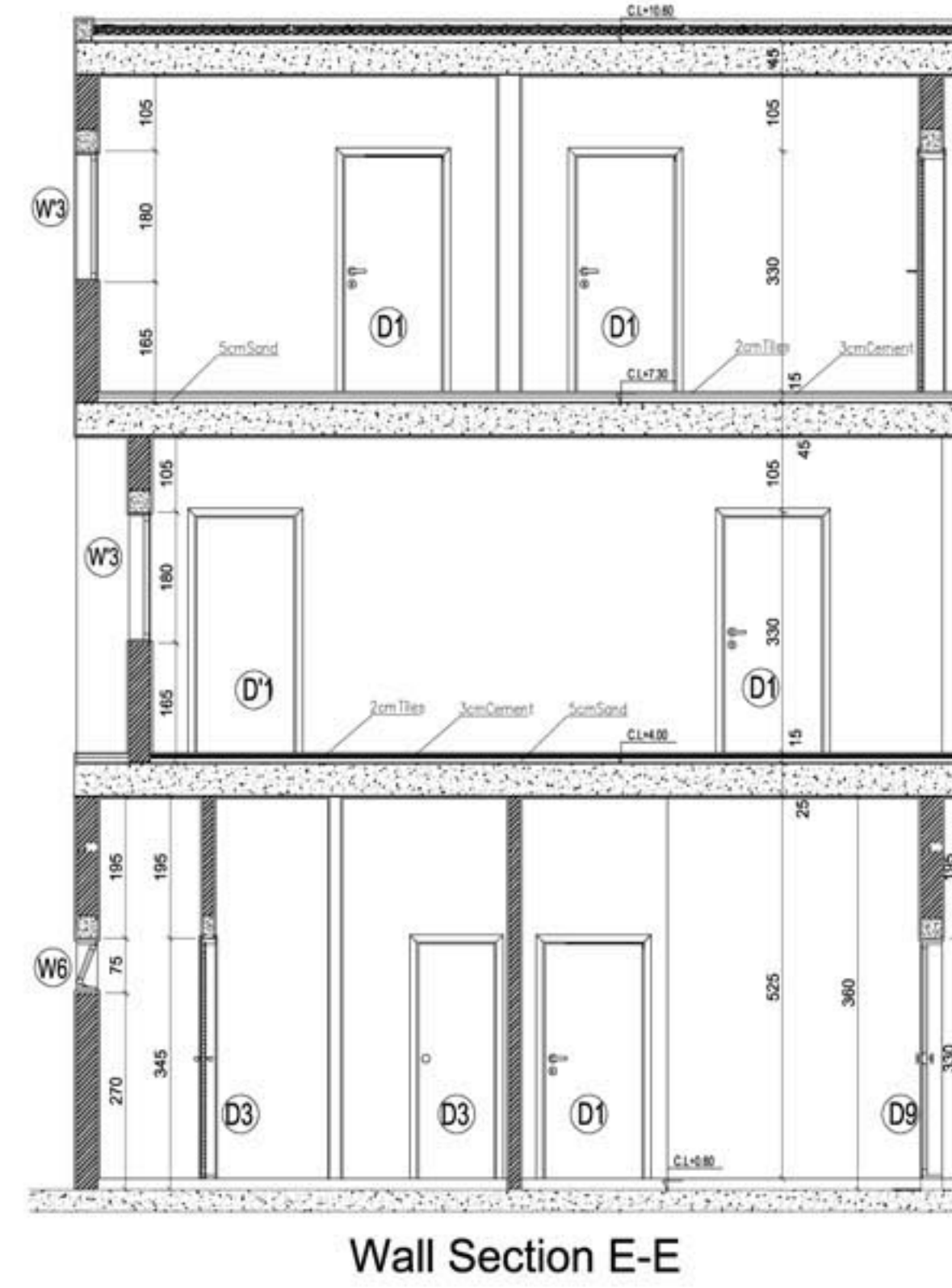
SOUTH ELEVATION



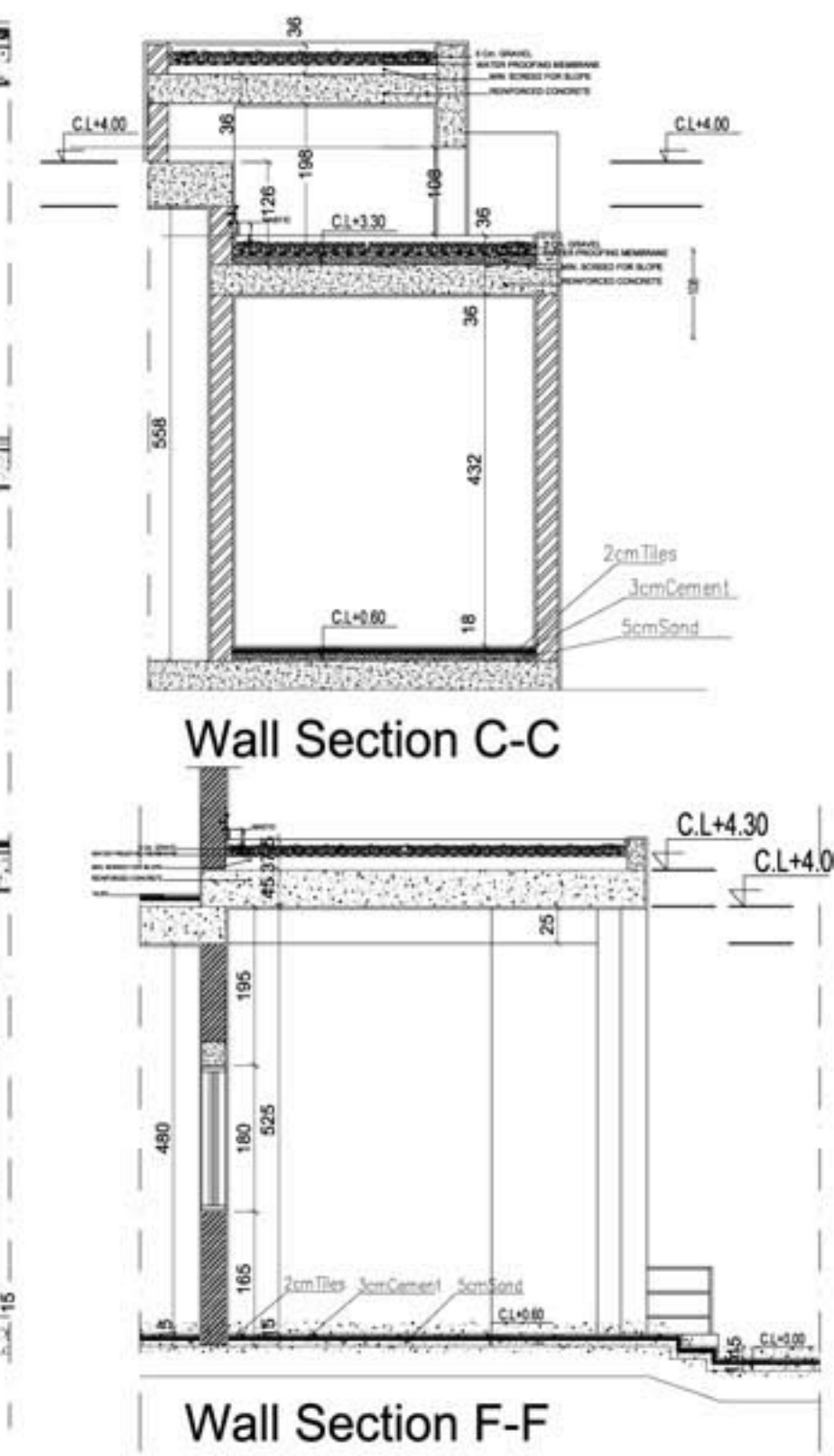
# SECTION MODEL



Section B-B



Wall Section E-E



Wall Section C-C

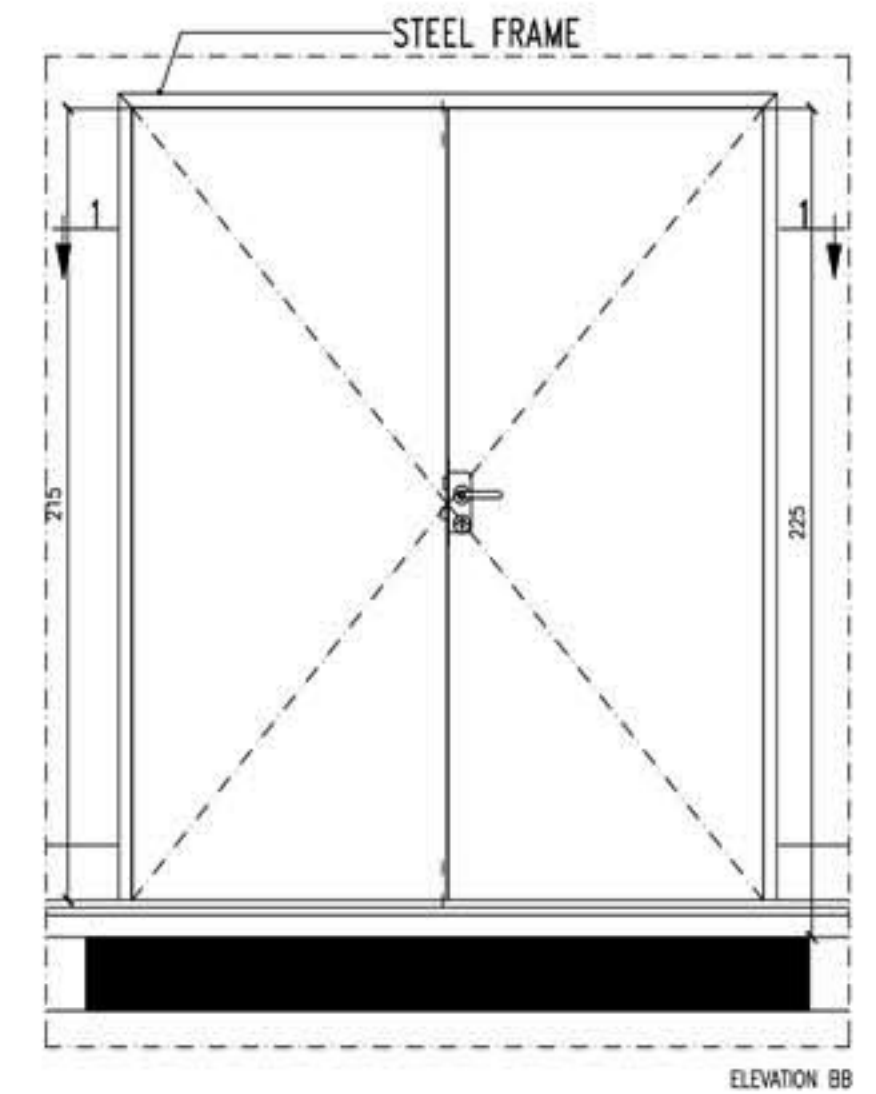
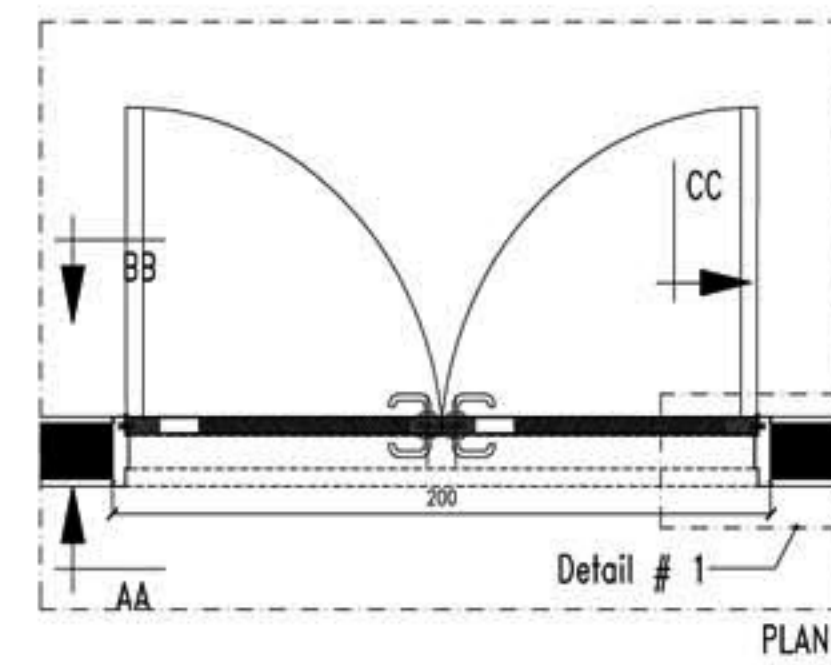
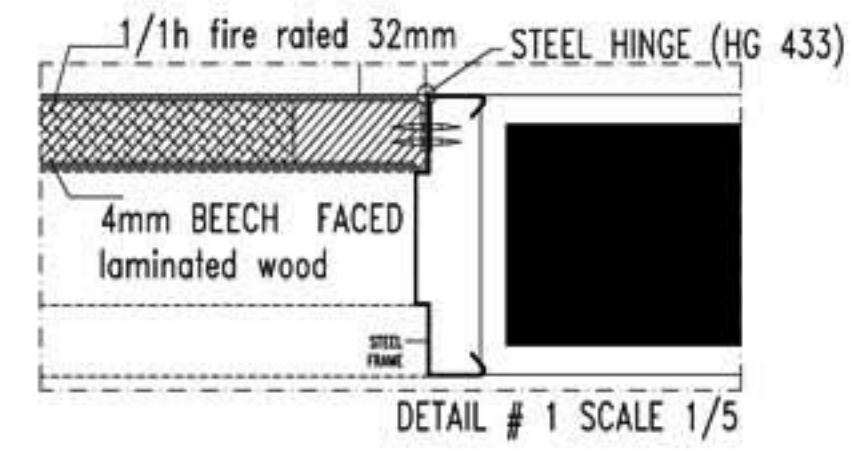
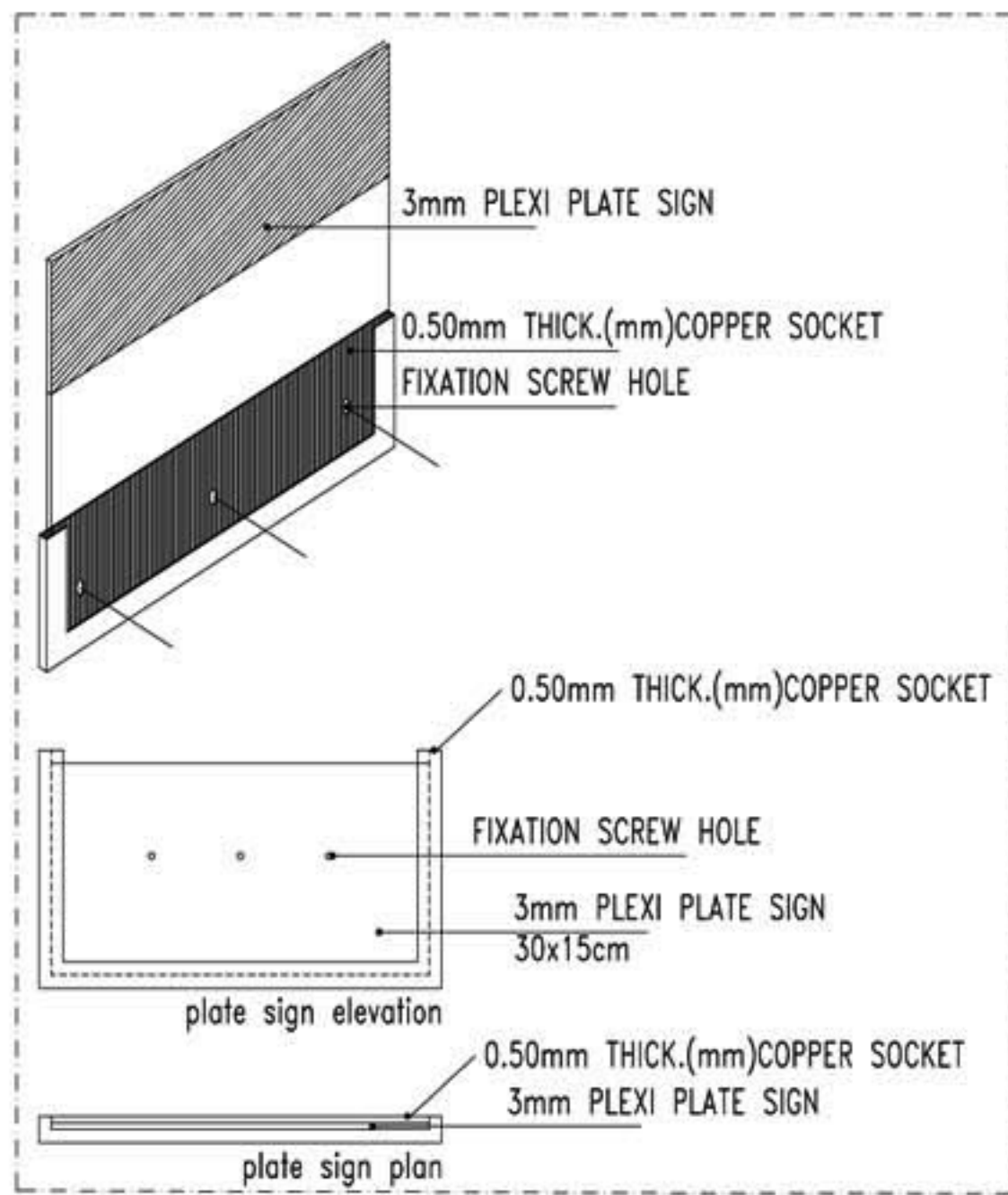
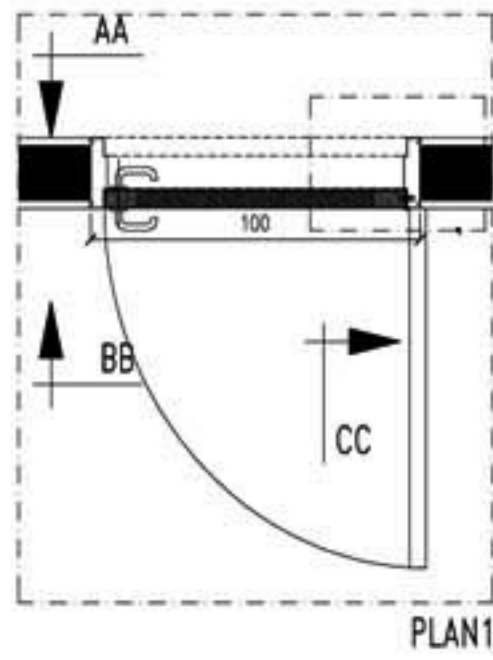
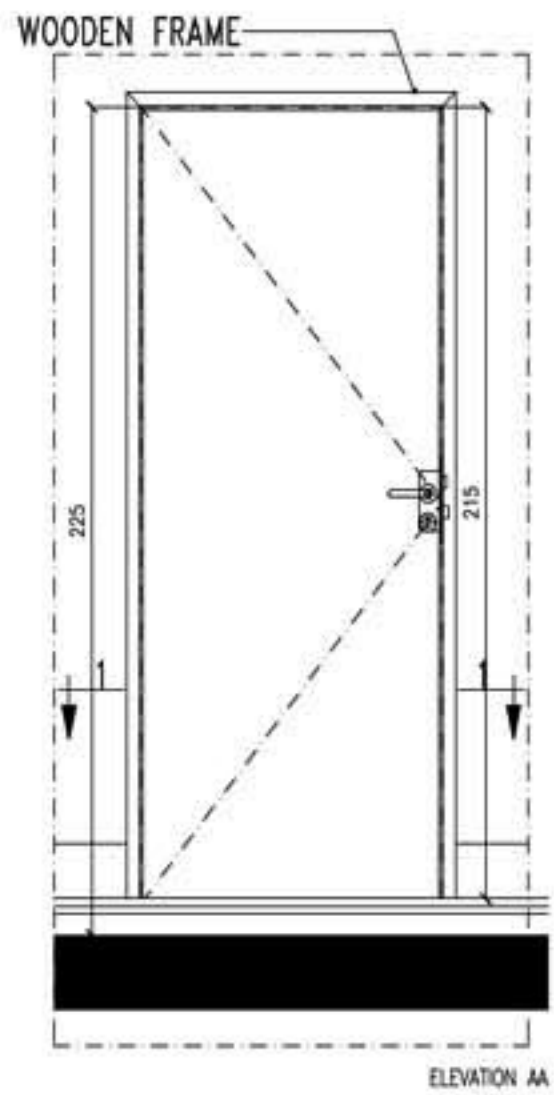
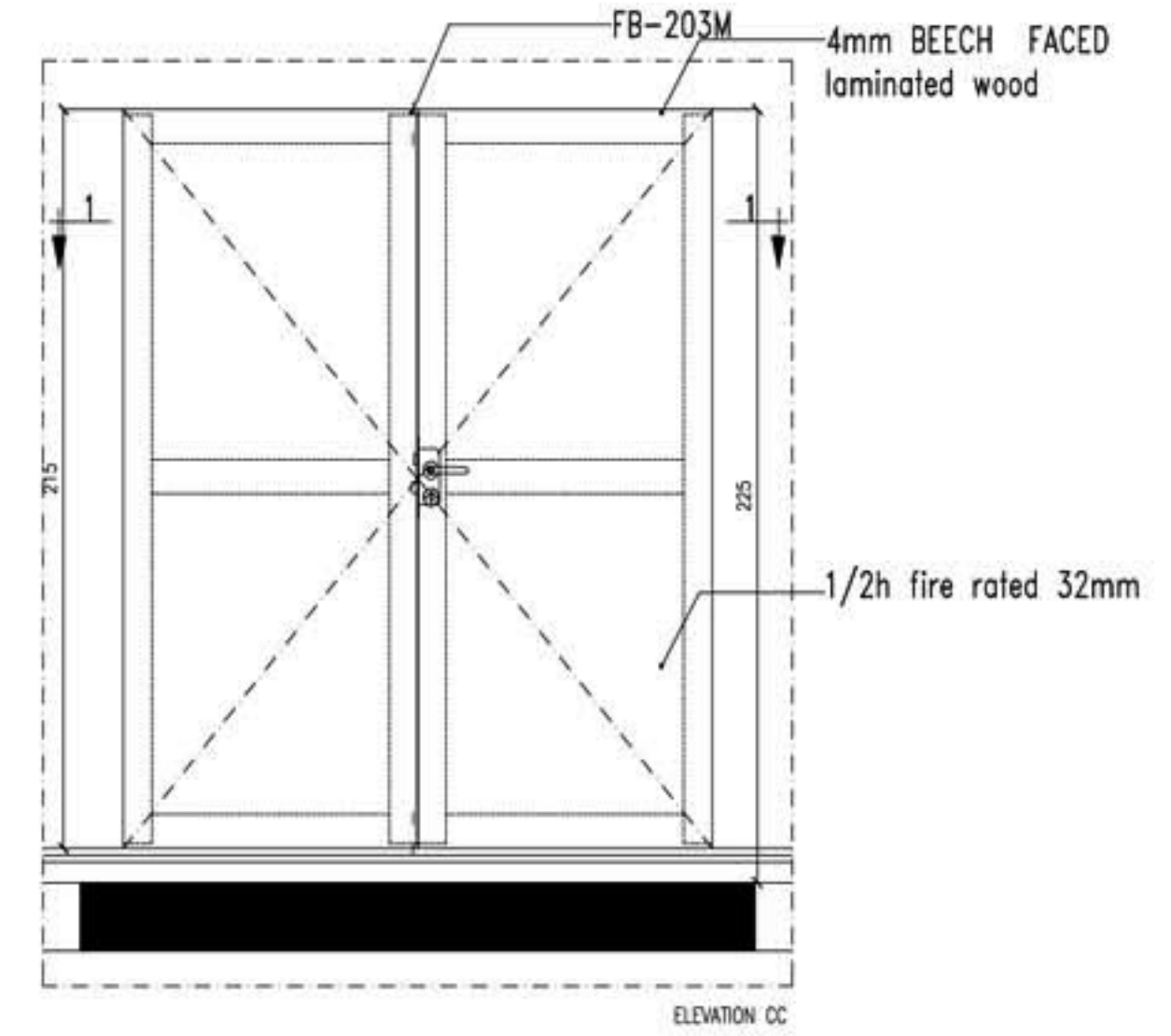
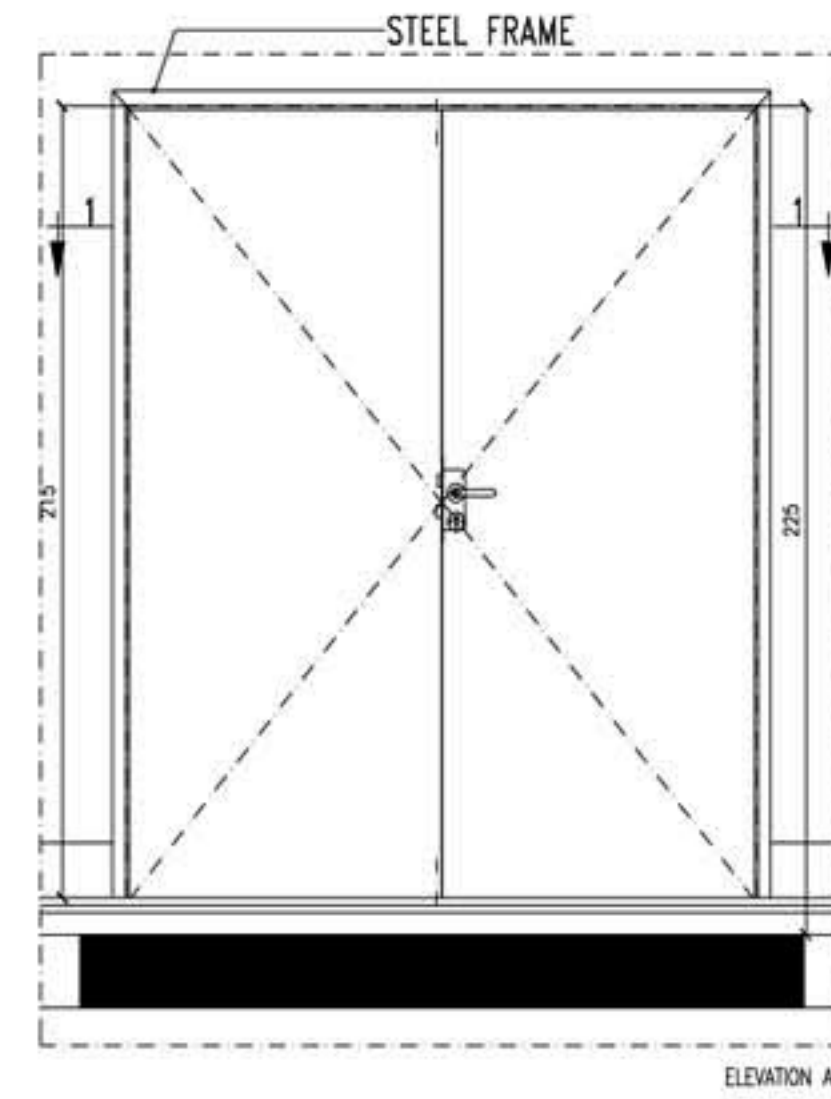
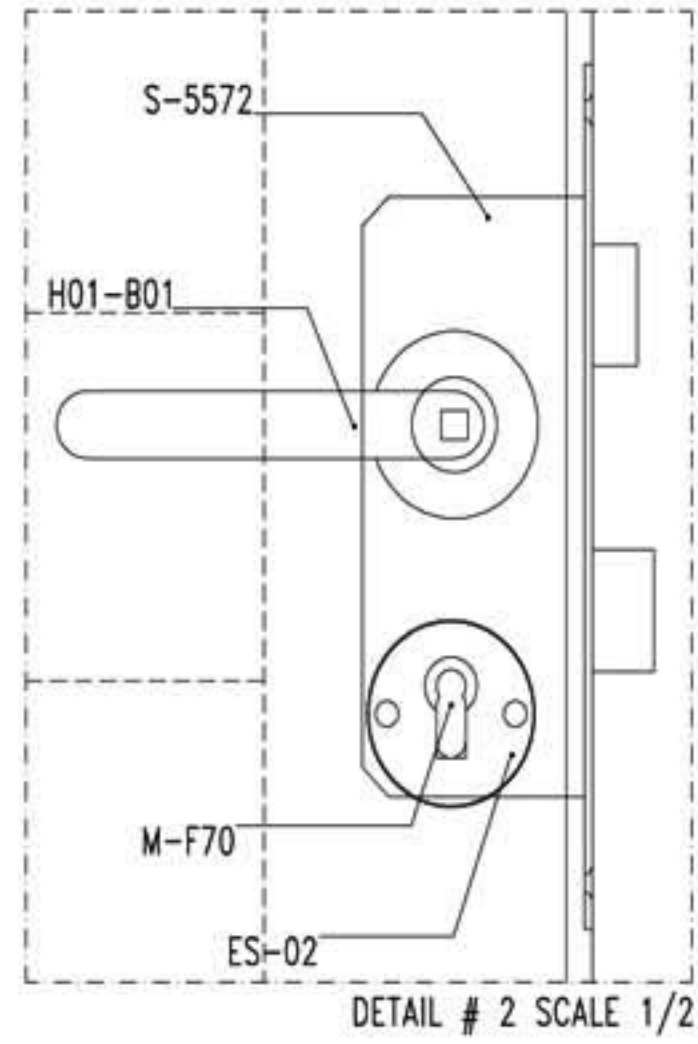
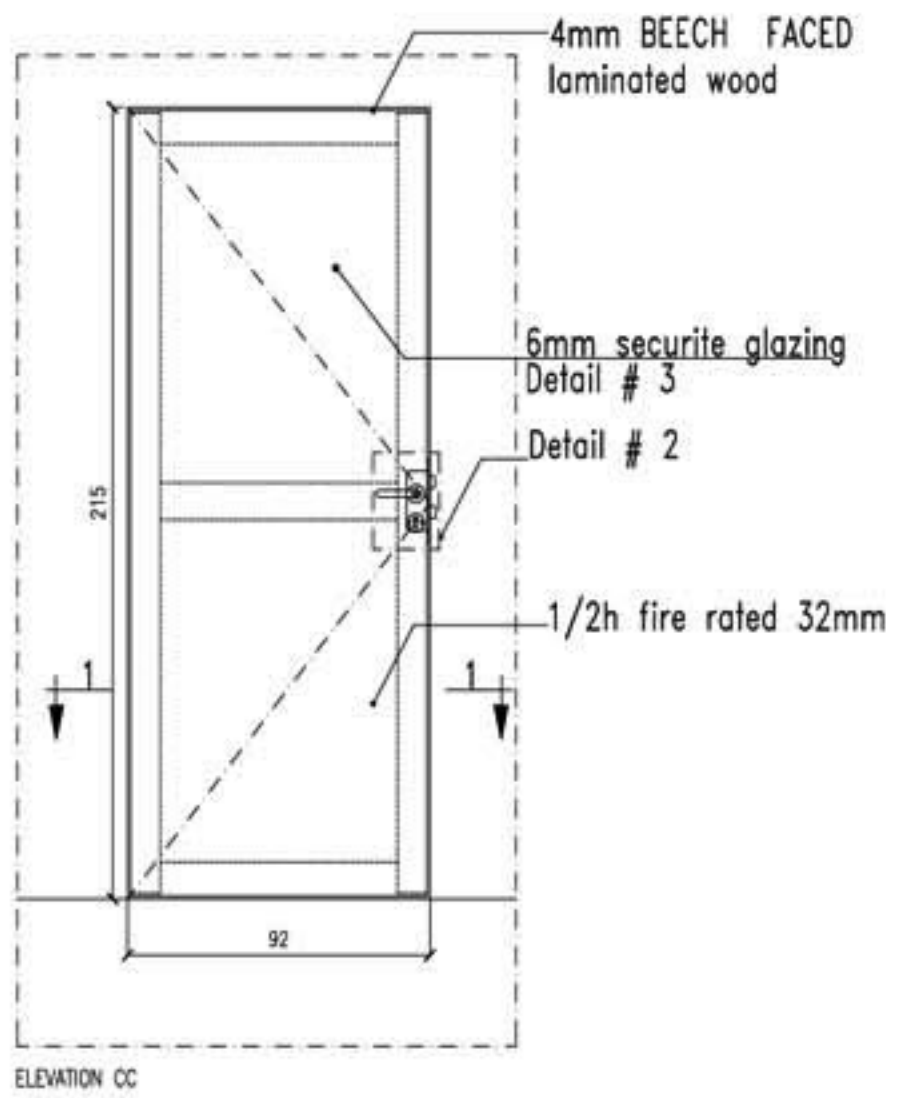
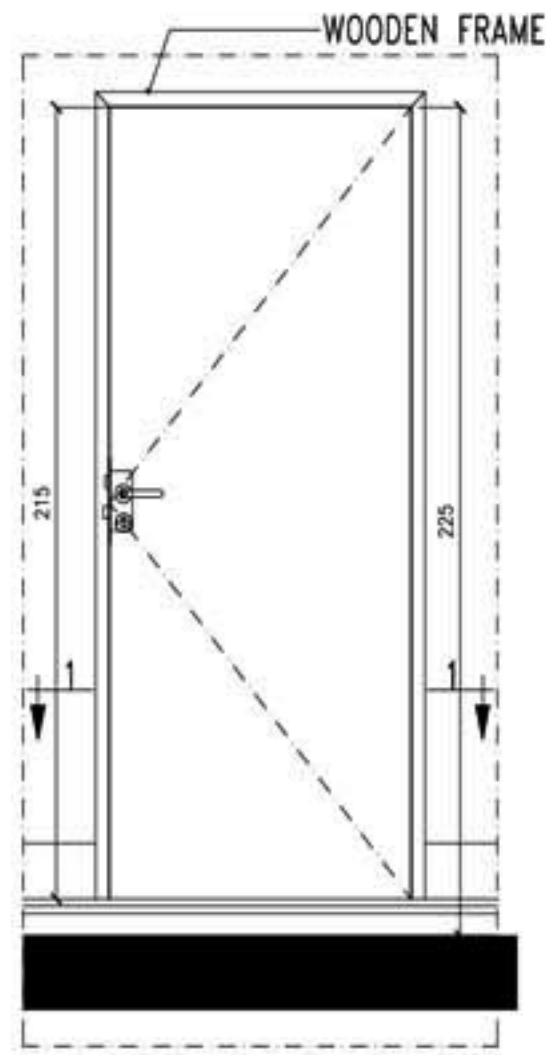
Wall Section F-F



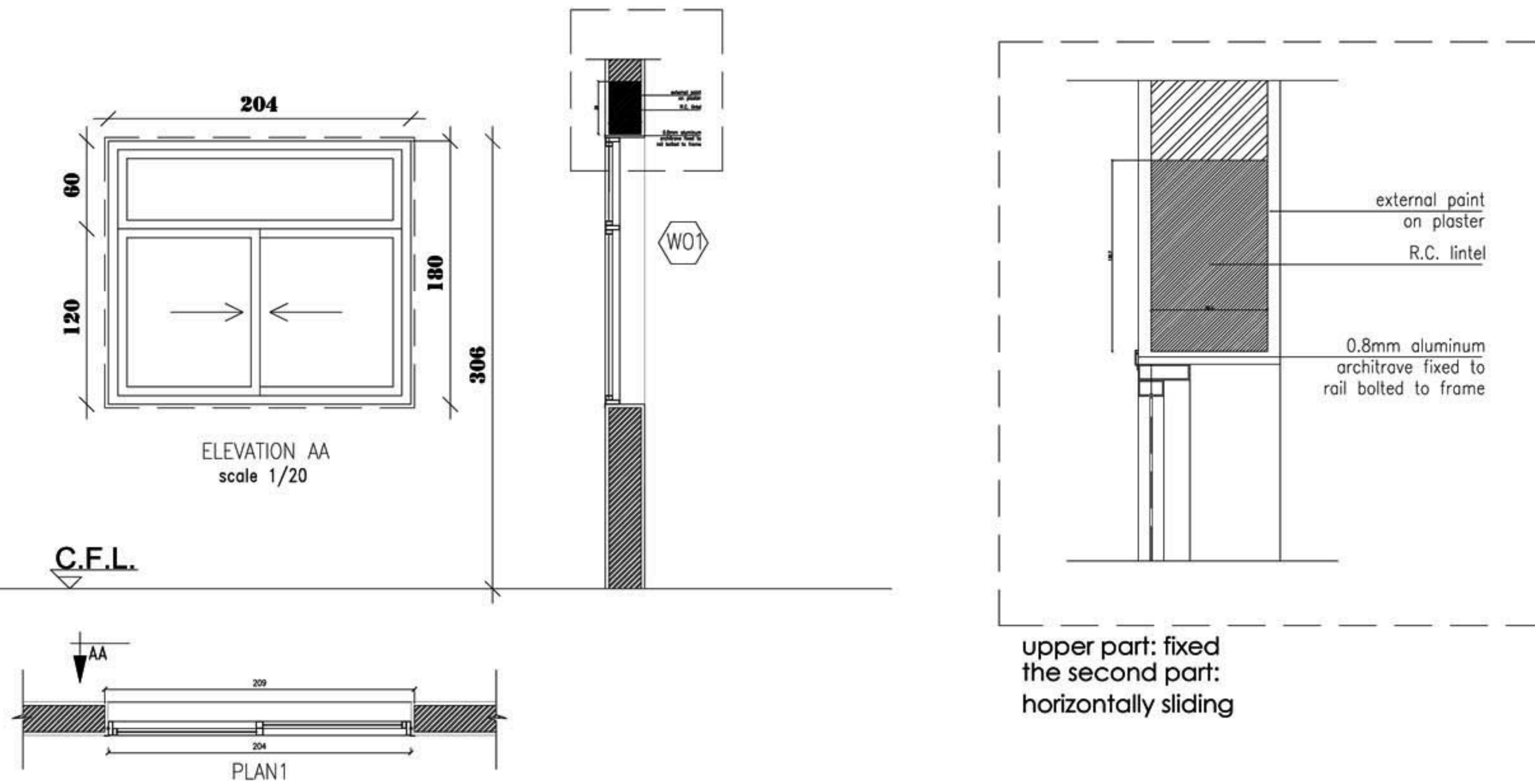
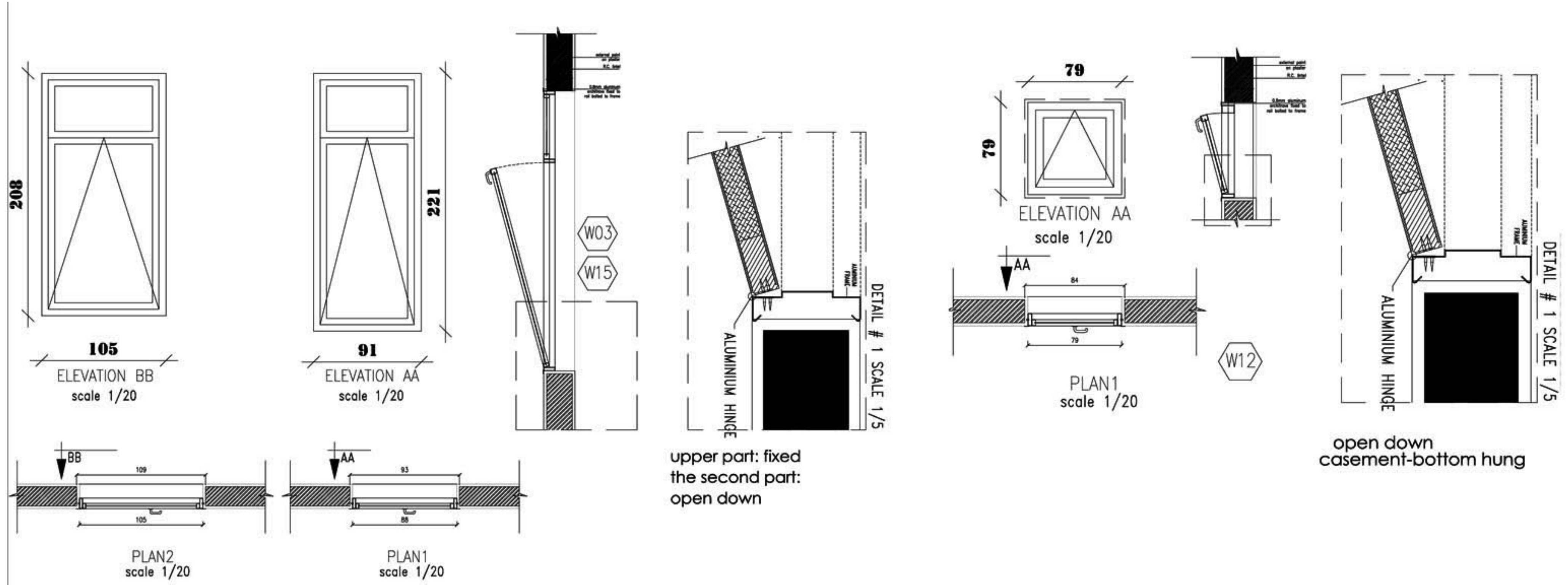




# DOORS DETAILS

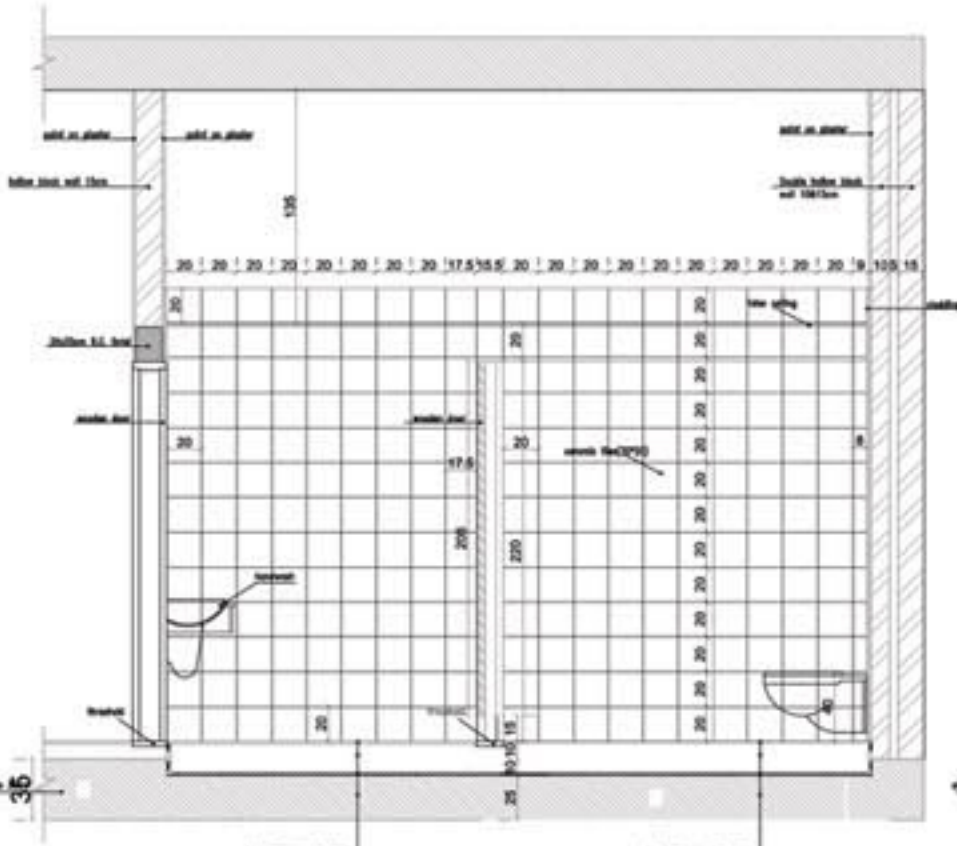


# WINDOWS DETAILS

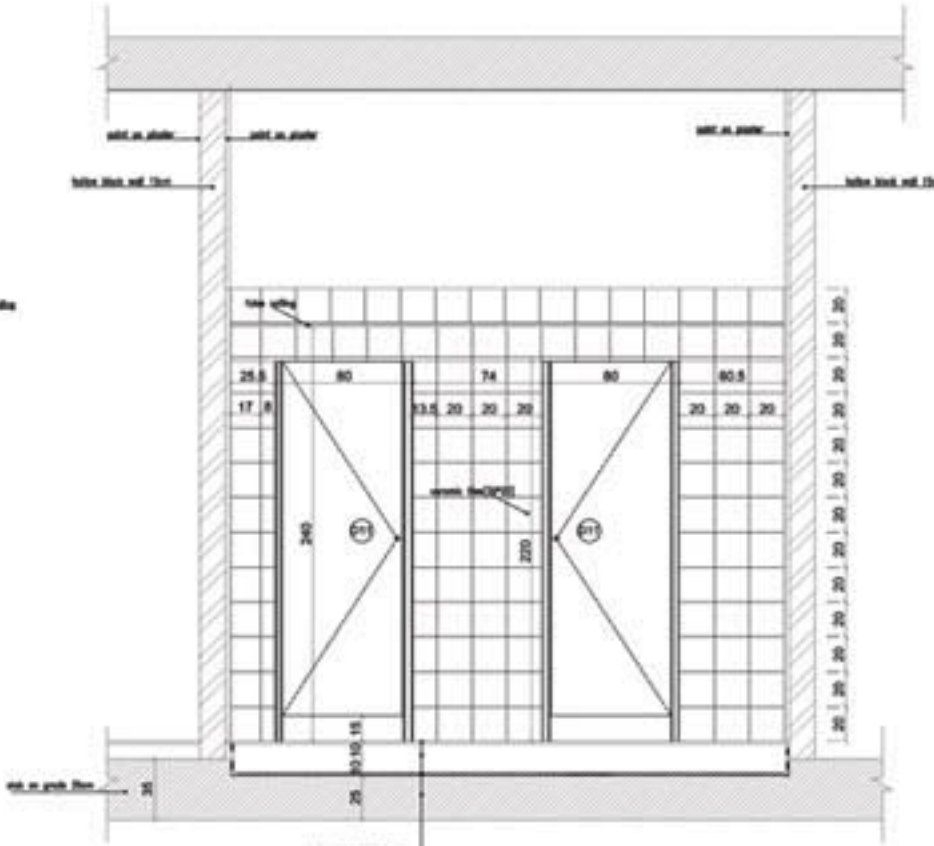




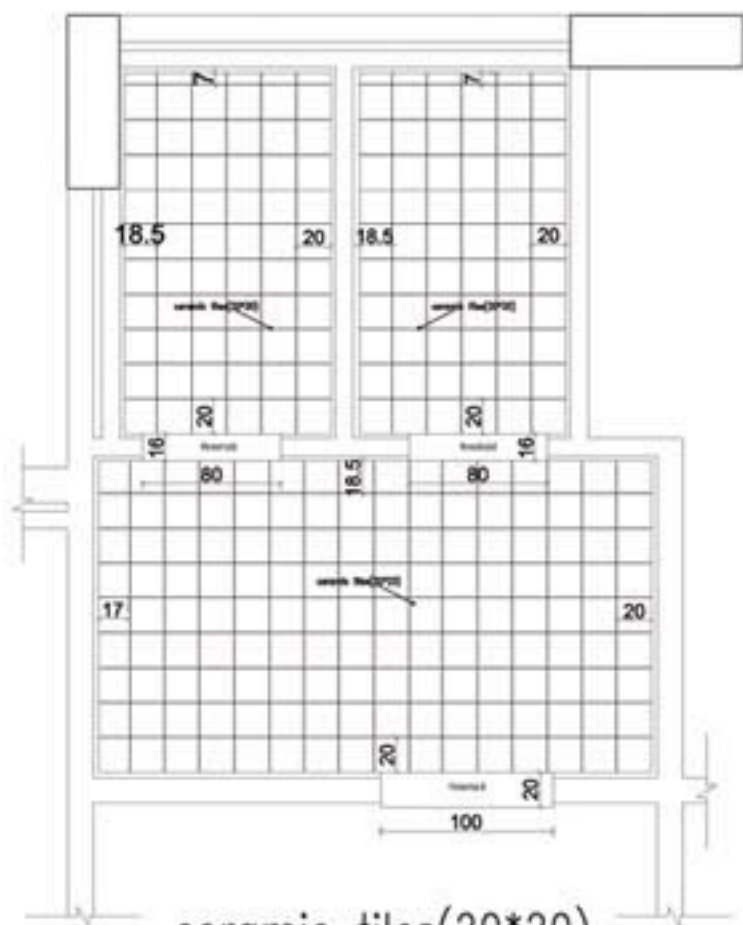
BATHROOM G13



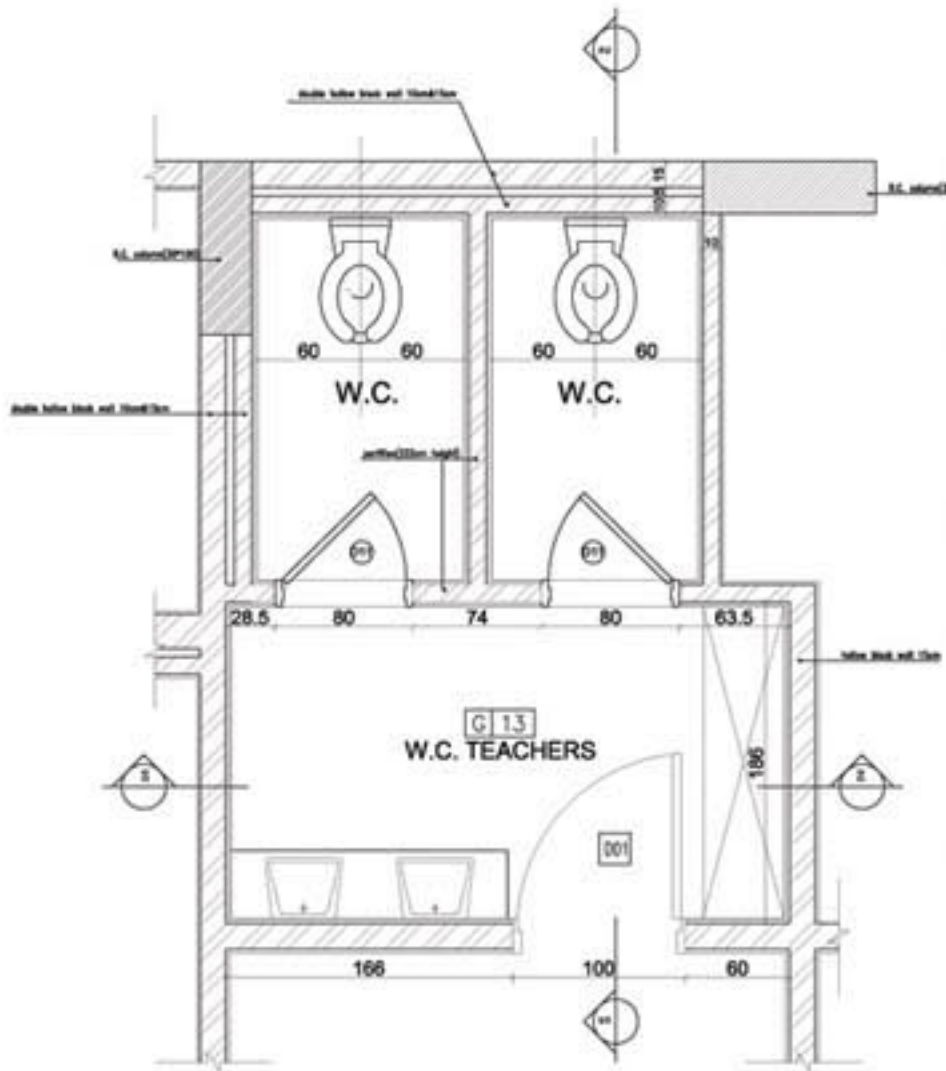
section-2-  
scale:1/20



section-1-  
scale:1/20

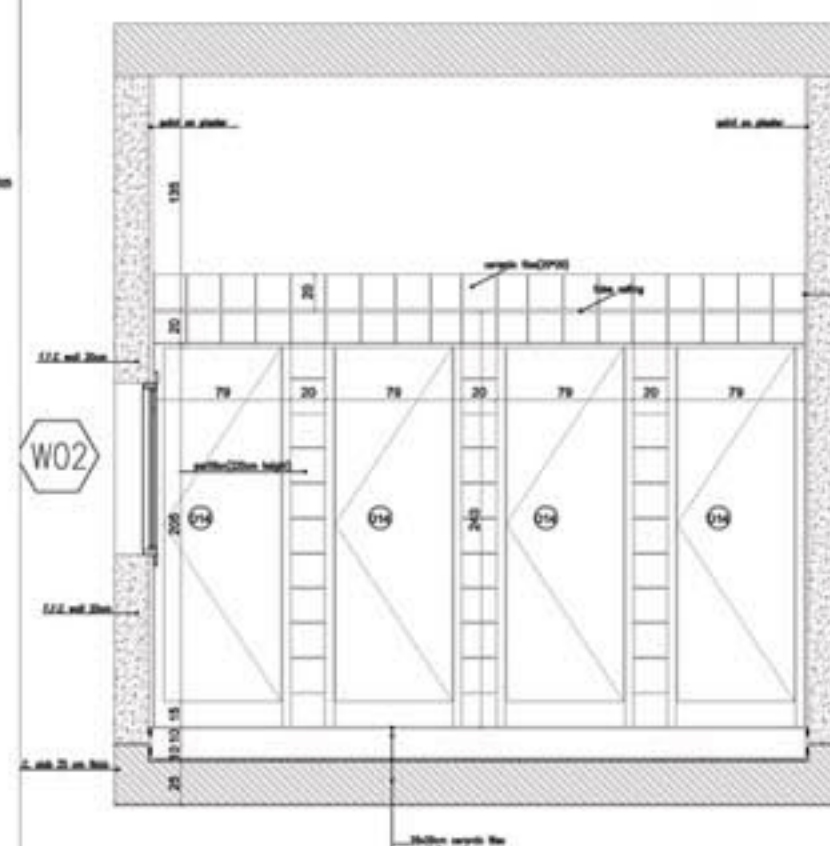


ceramic tiles(20\*20)  
ceramic layout  
scale:1/20

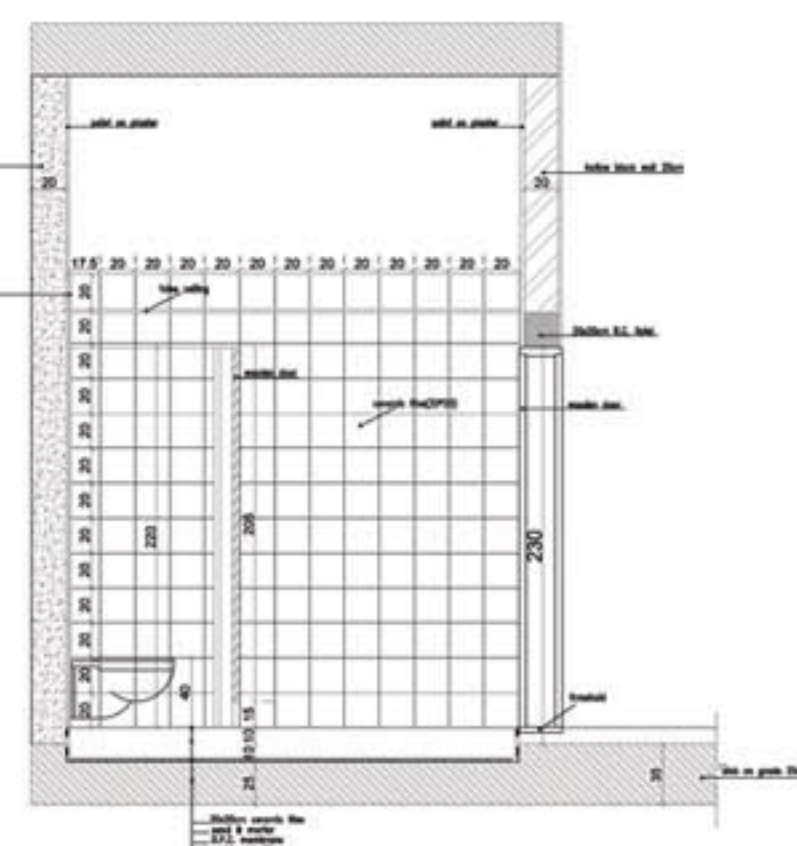


Plan Wc (G03)  
scale:1/20

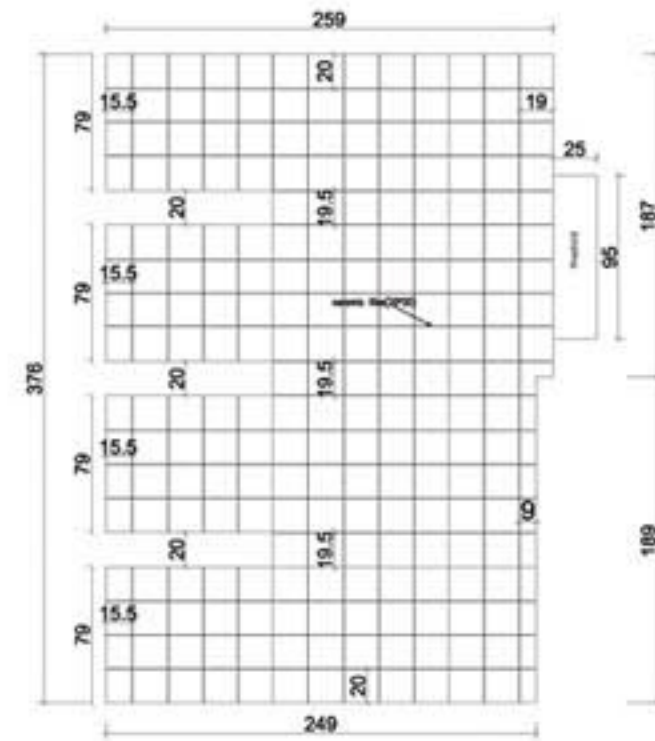
BATHROOM G05-G06



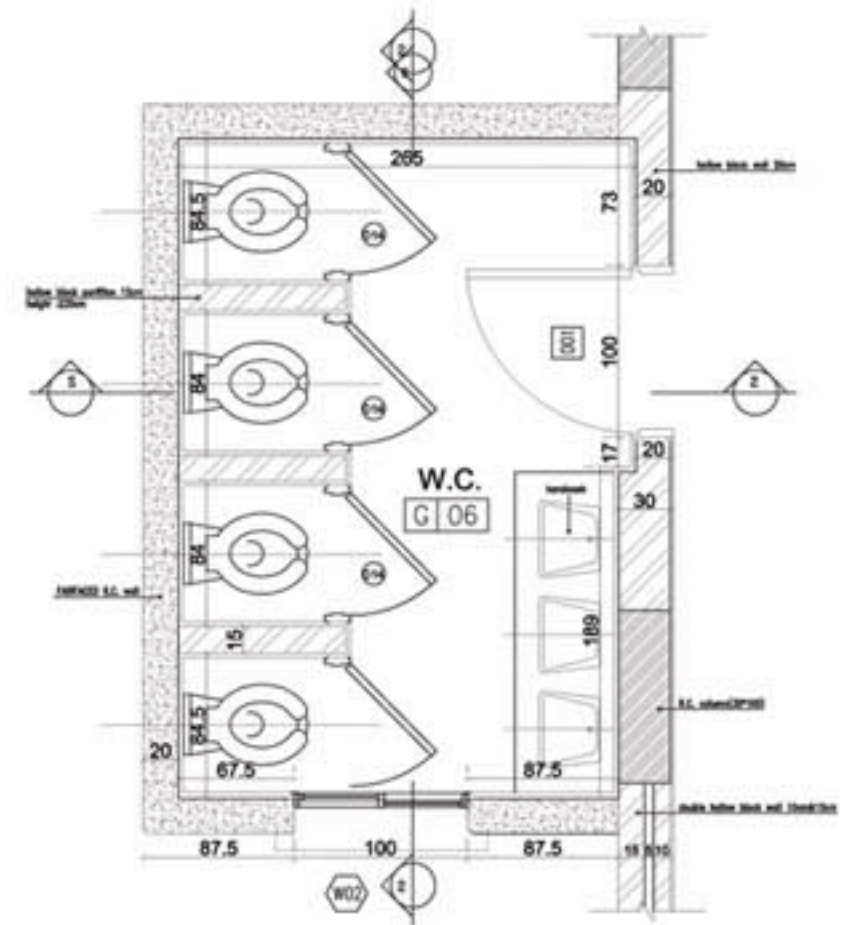
section-2-  
scale:1/20



section-1-  
scale:1/20



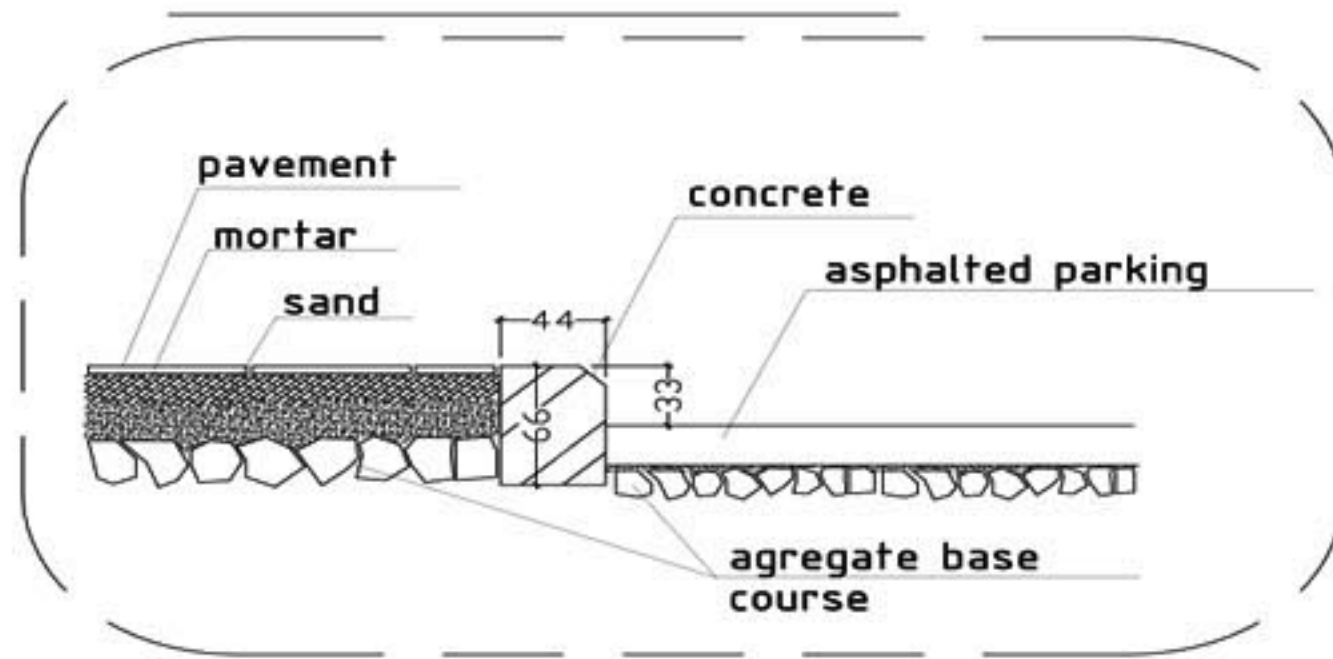
(20x20x0.8)ceramic layout  
scale:1/20



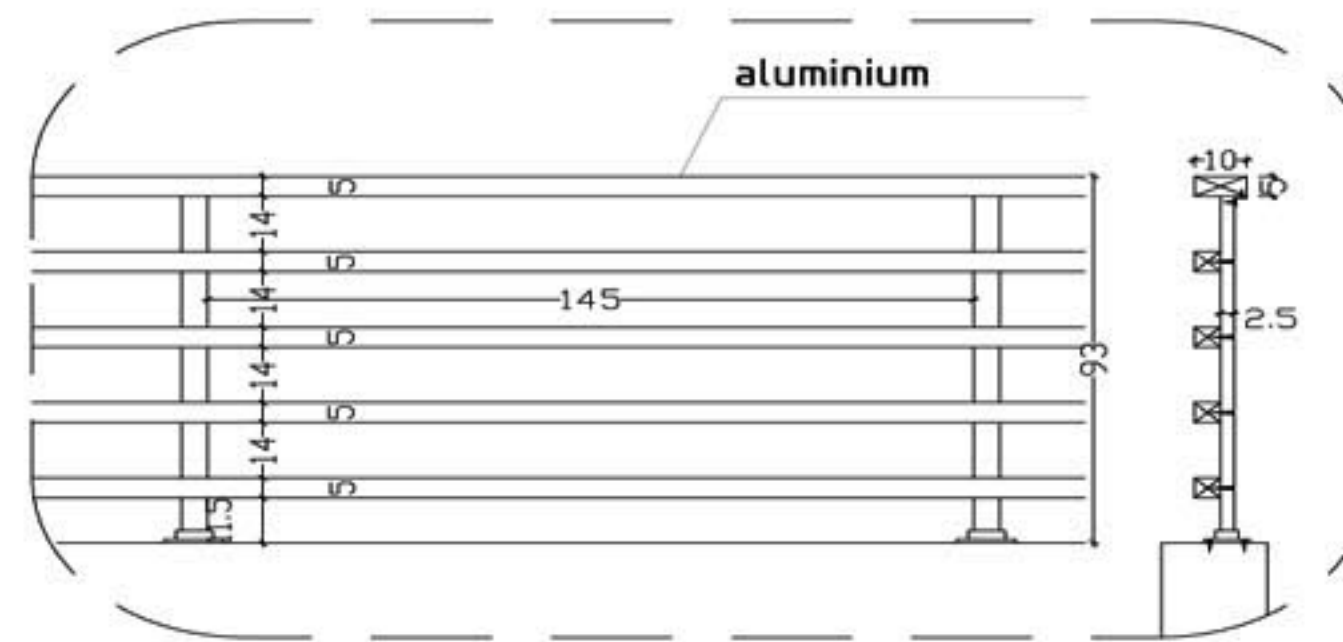
Plan Wc (G06)-(G05)  
scale:1/20



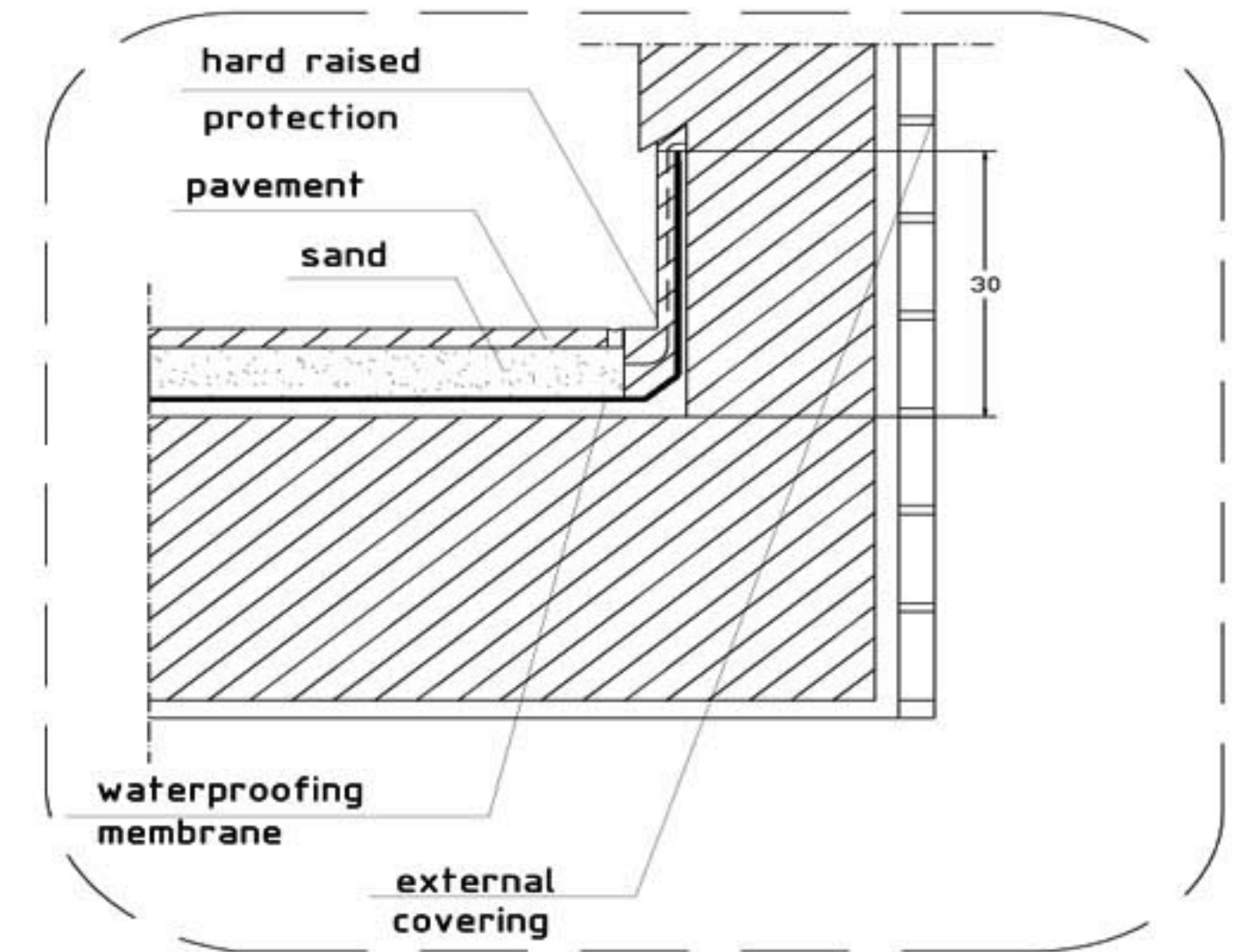
# DETAILS



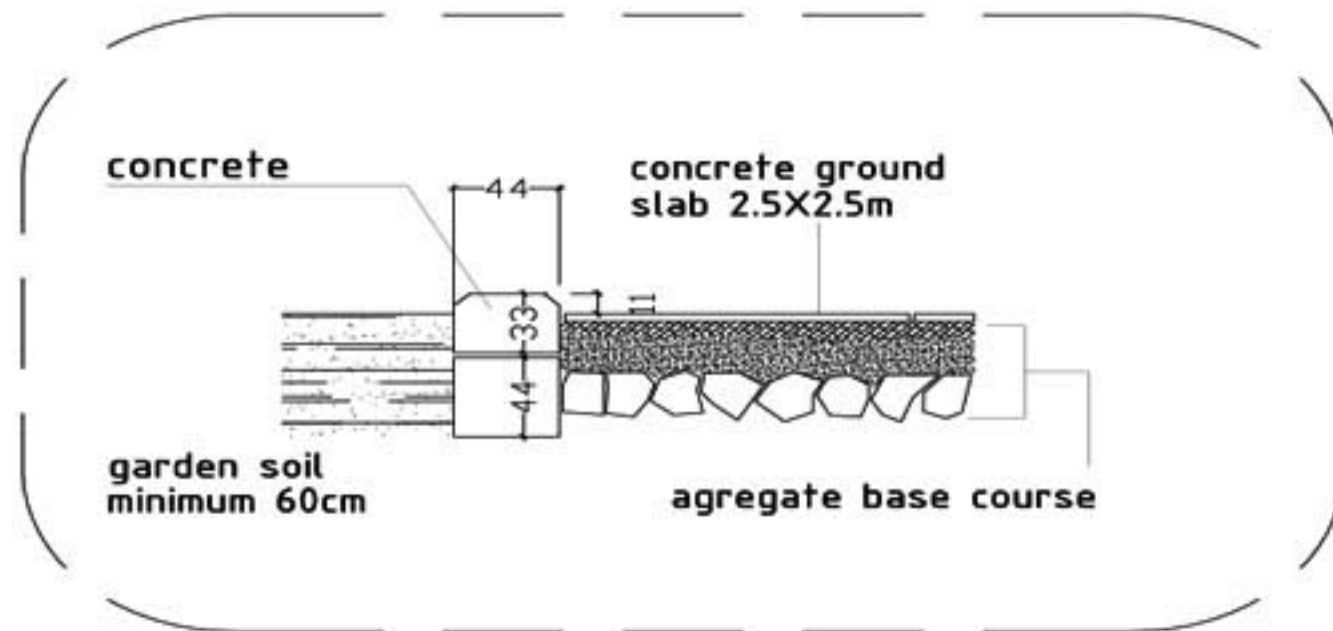
Detail separation side walk/parking



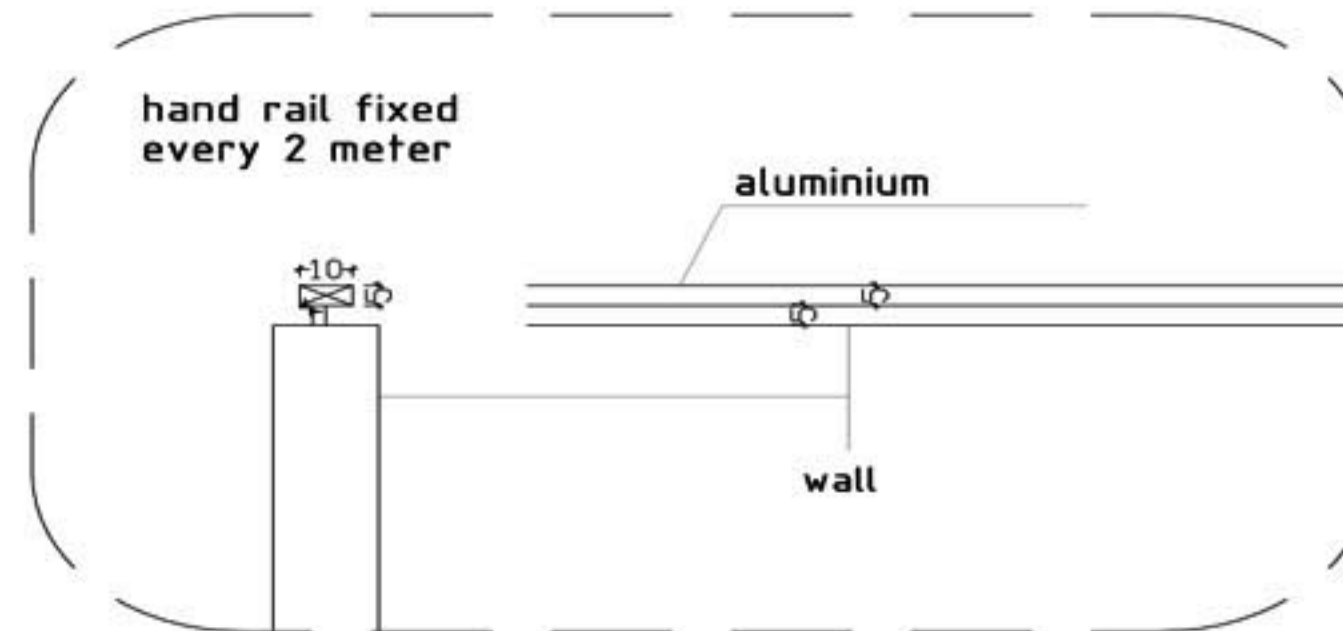
Detail balustrade type A (sc:1/25)



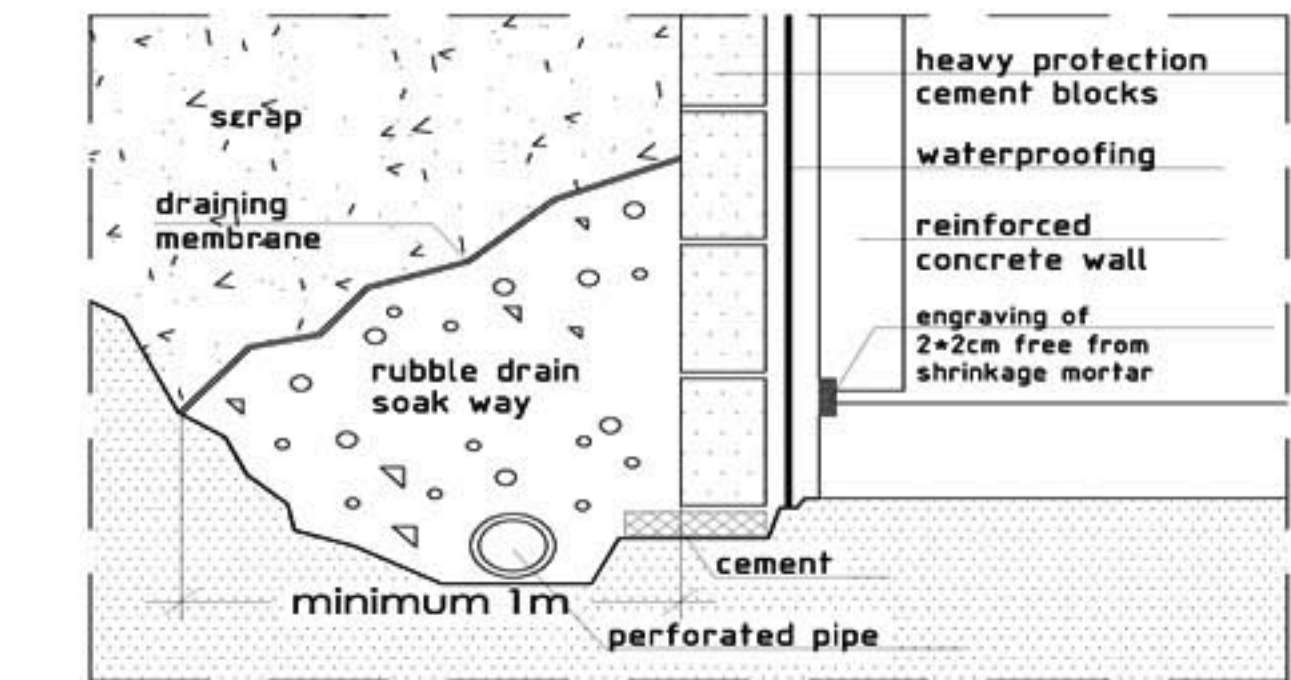
Detail waterproofing (sc:1/10)



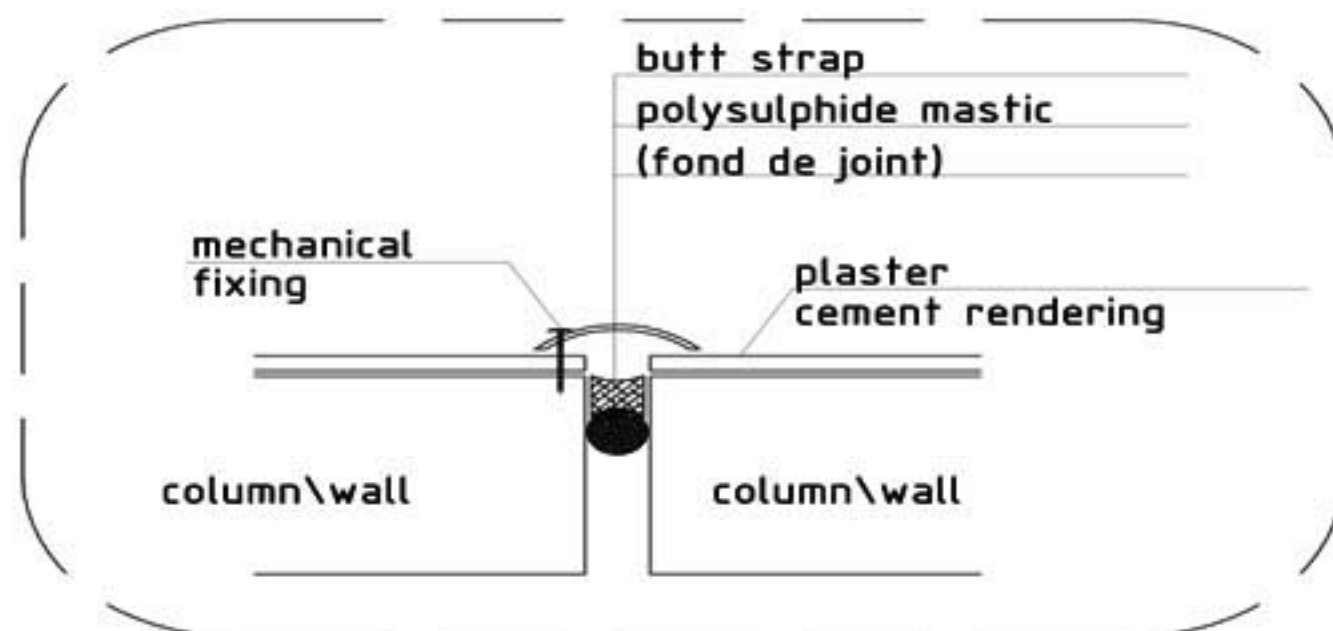
Detail separation garden/ play ground



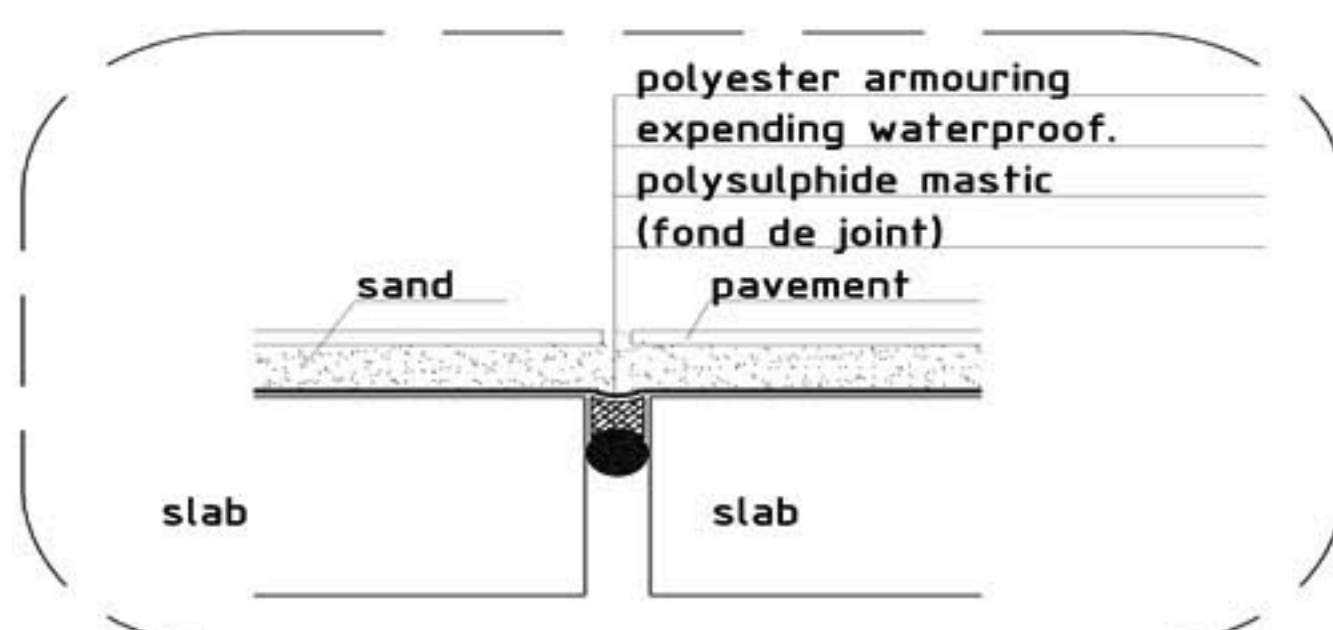
Detail balustrade type B (sc:1/25)



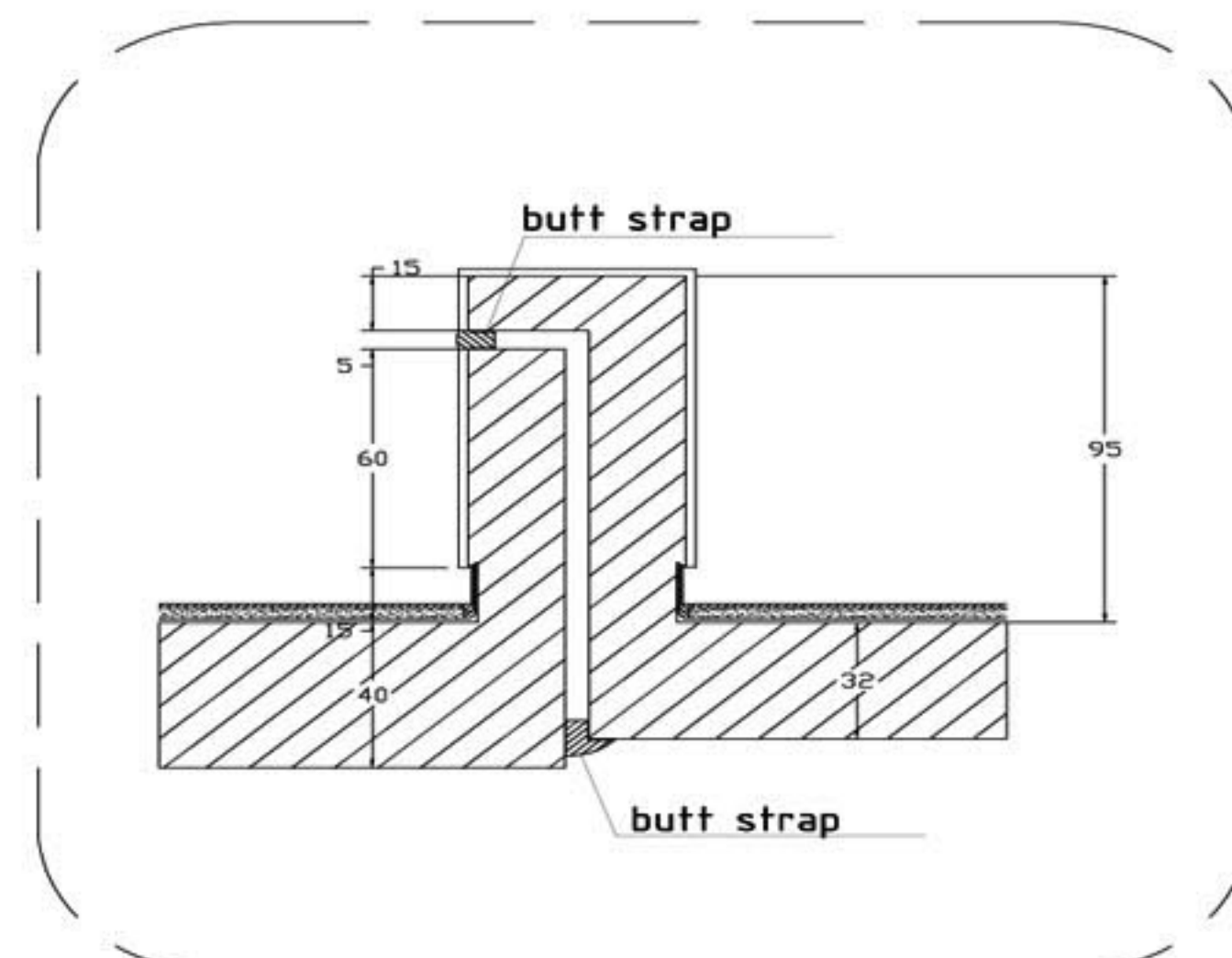
Detail waterproofing earth retaining wall



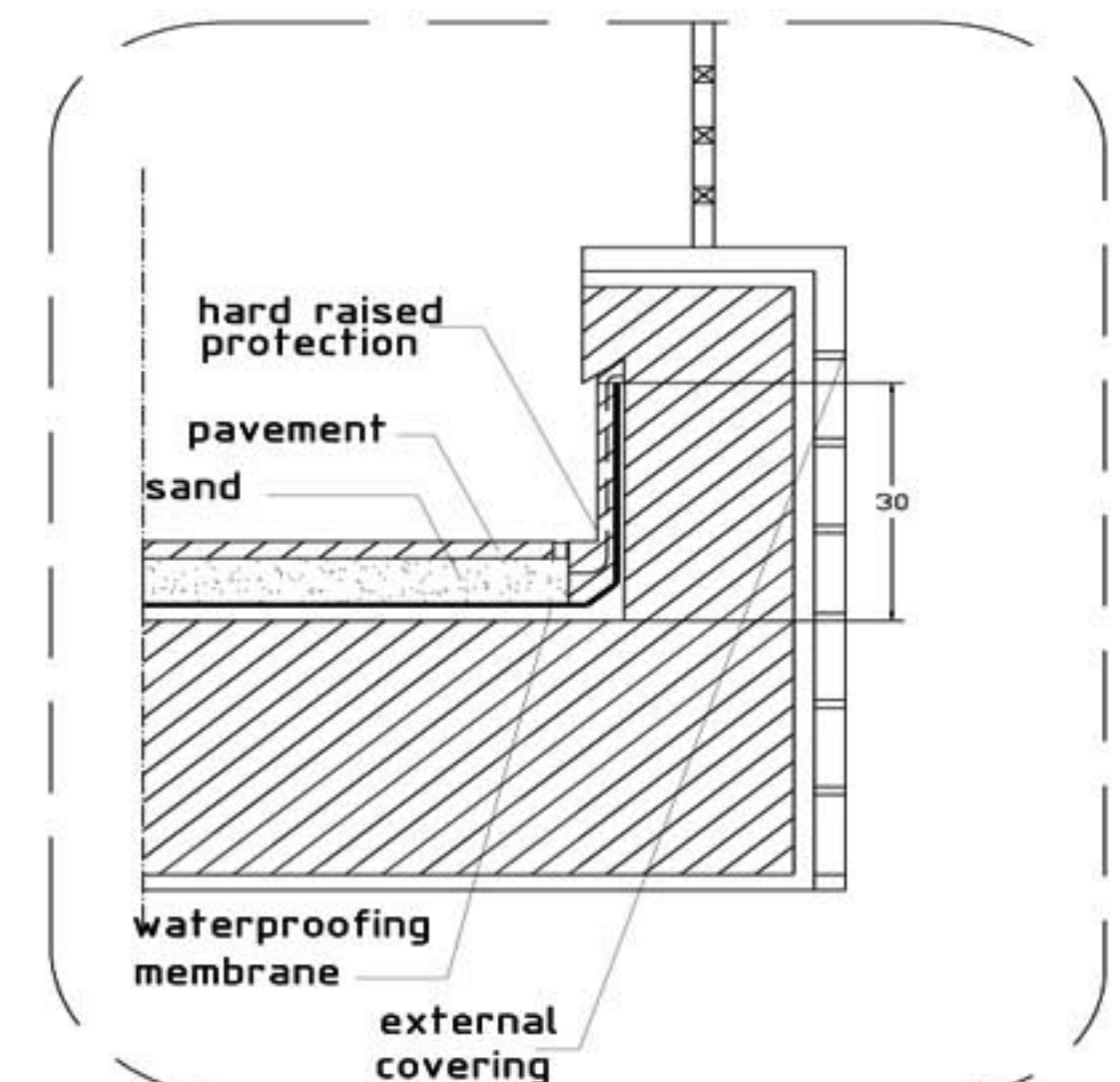
Detail expansion joint in elevation (no scale)



Detail expansion joint in terrace (no scale)



Detail expansion joint (sc:1/25)

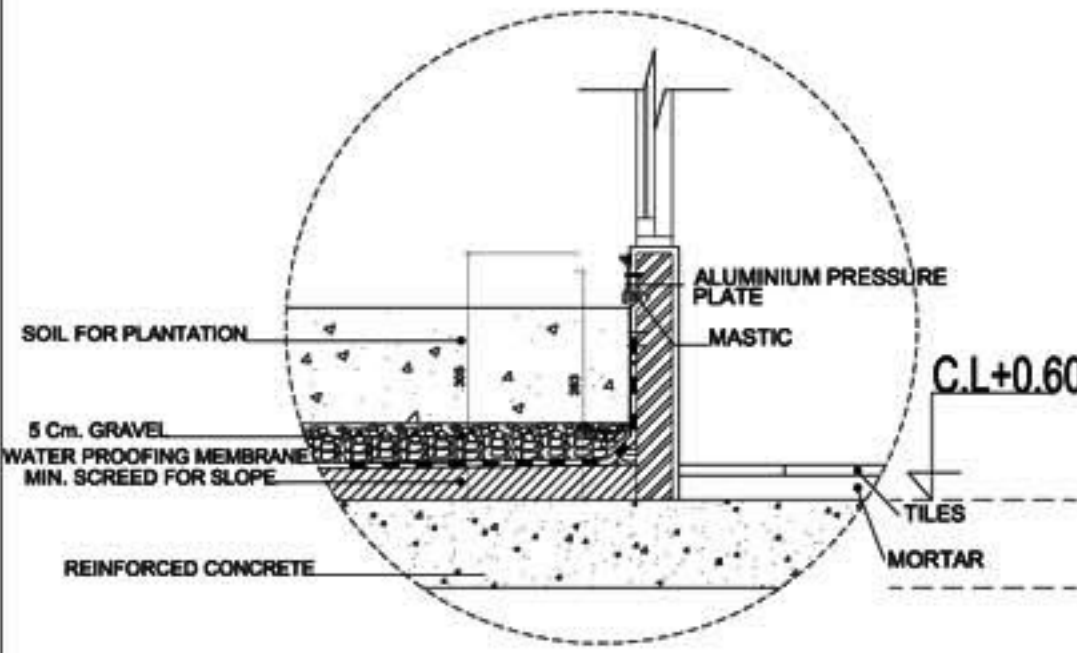


Detail waterproofing (sc:1/10)

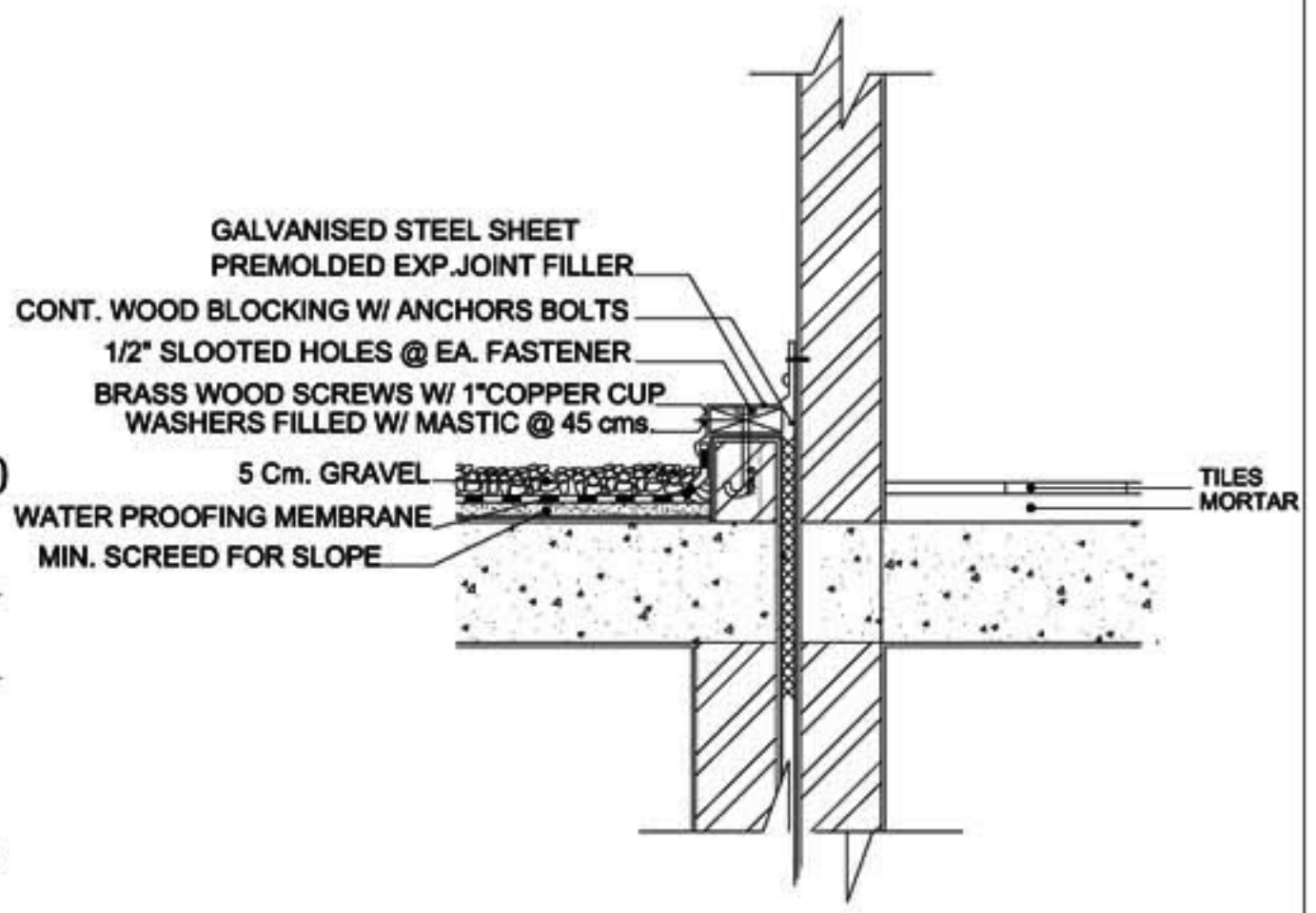


# DETAILS

## 5 WATER PROOFING & EXPANSION JOINT DETAILS

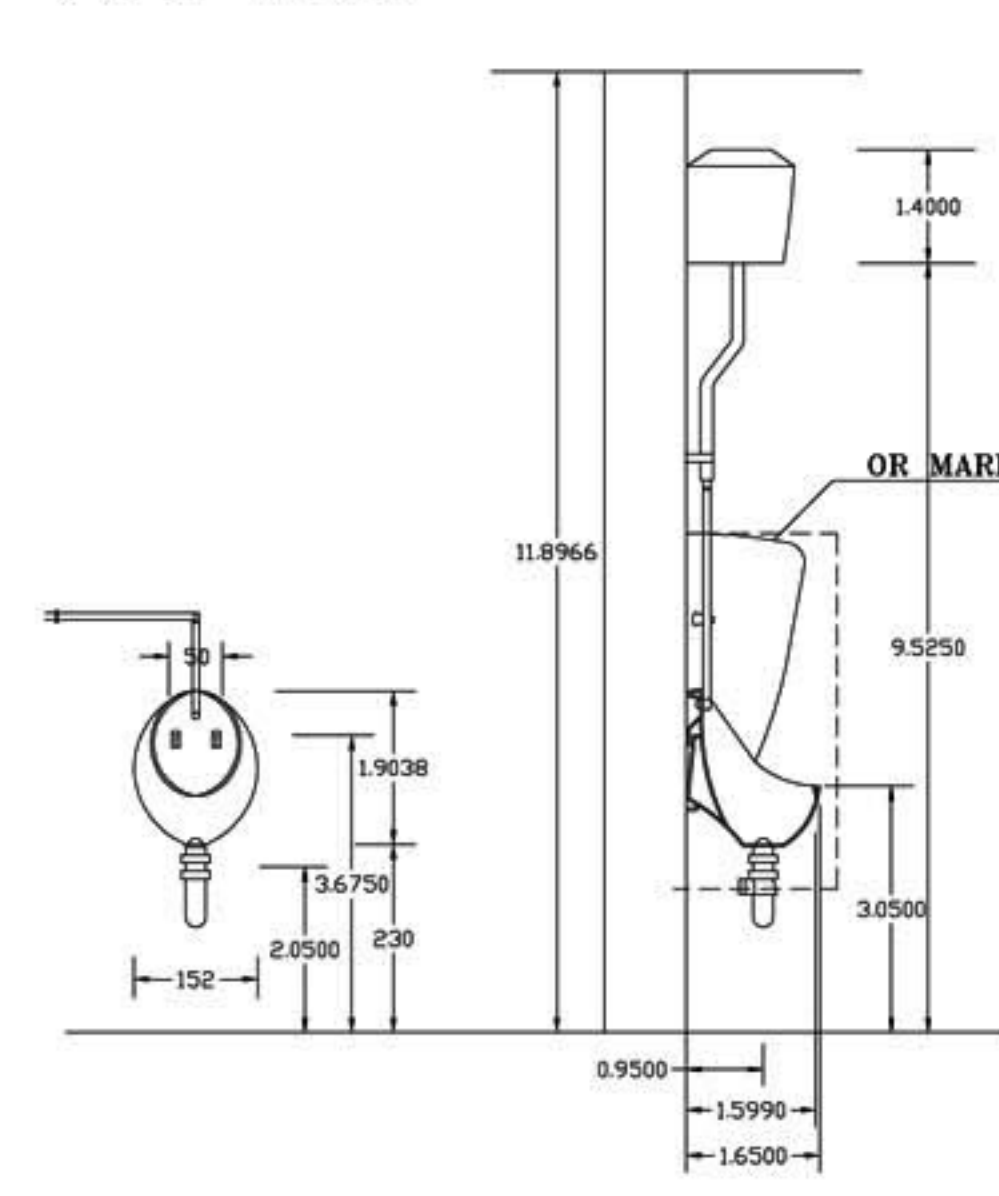


**D1 - WATER PROOFING DETAIL**  
SCALE 1/10

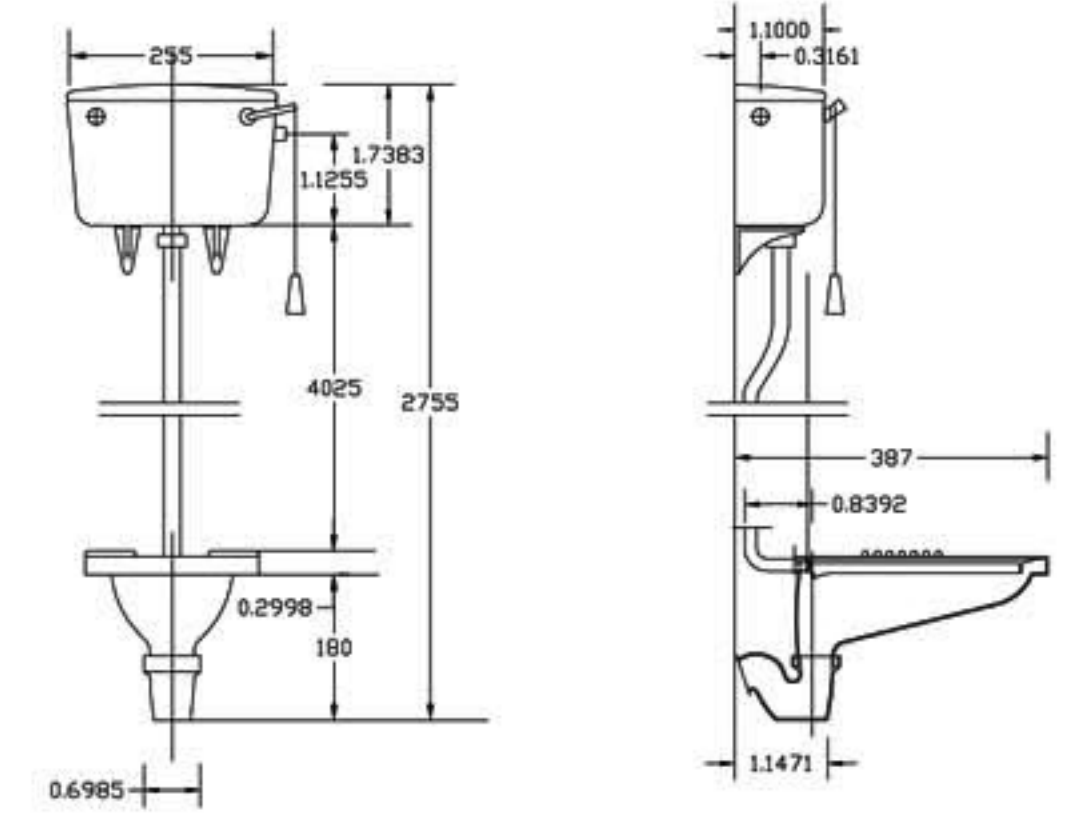


**D2 - EXPANSION JOINT AT ROOF**  
SCALE 1/10

## 2 URINAL BOWL WITH EXPOSED PIPE WORK

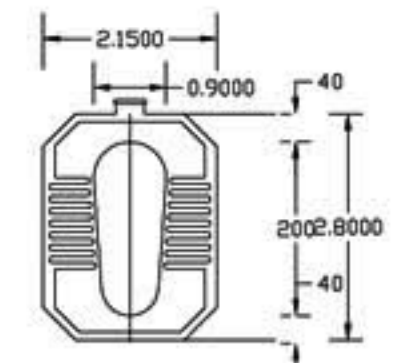


**FRONT ELEVATION** SCALE : 1/10  
**SIDE ELEVATION** SCALE : 1/10



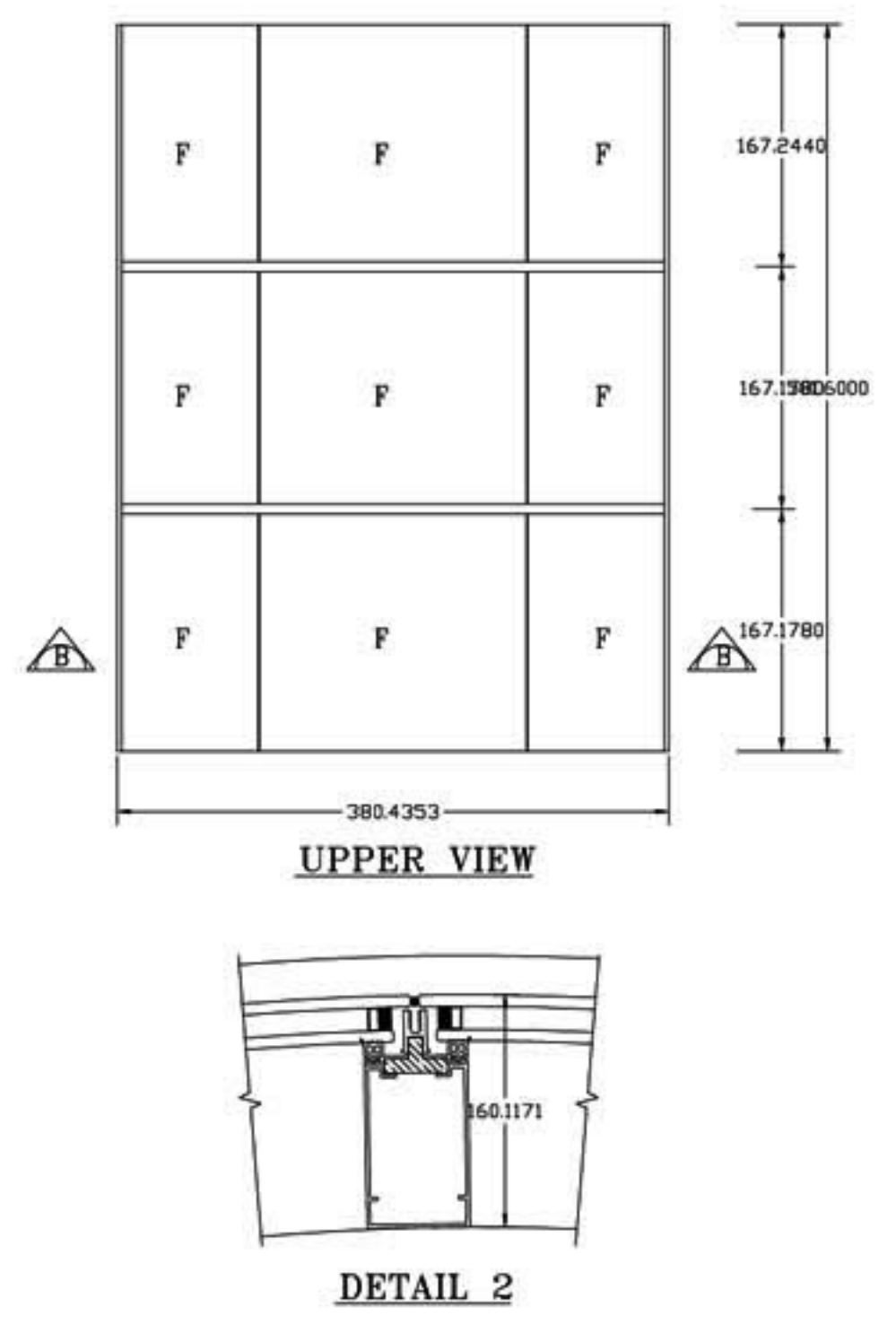
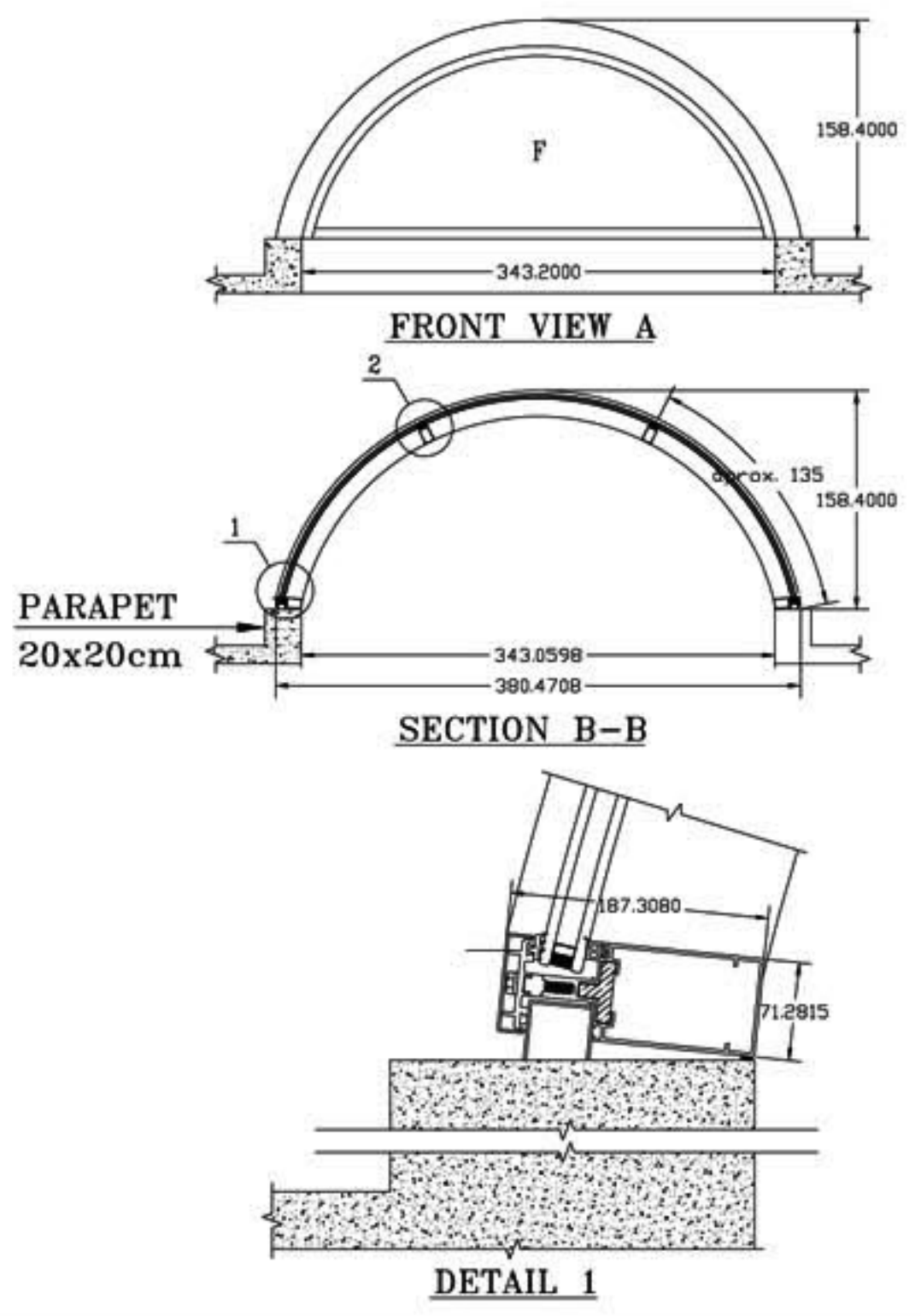
### NOTES

- ALL DIMENSIONS ARE IN (MILLIMETER)
- SUITE IS SUPPLIED COMPLETE WITH VALVES CISTERN FITTINGS INCLUDING SIPHON 1/2" SIDE INLET BALL VALVE 3/4" SIDE OVER FLOW, PLASTICS FLUSH PIPE & CLIP, INLET CONNECTION AND REVERSIBLE CHAIN PULL, HAND SPRAY BALL VALVE HAVE INTER CHANGE ABLE SEATING FOR HIGH OR LOW PRESSURE.

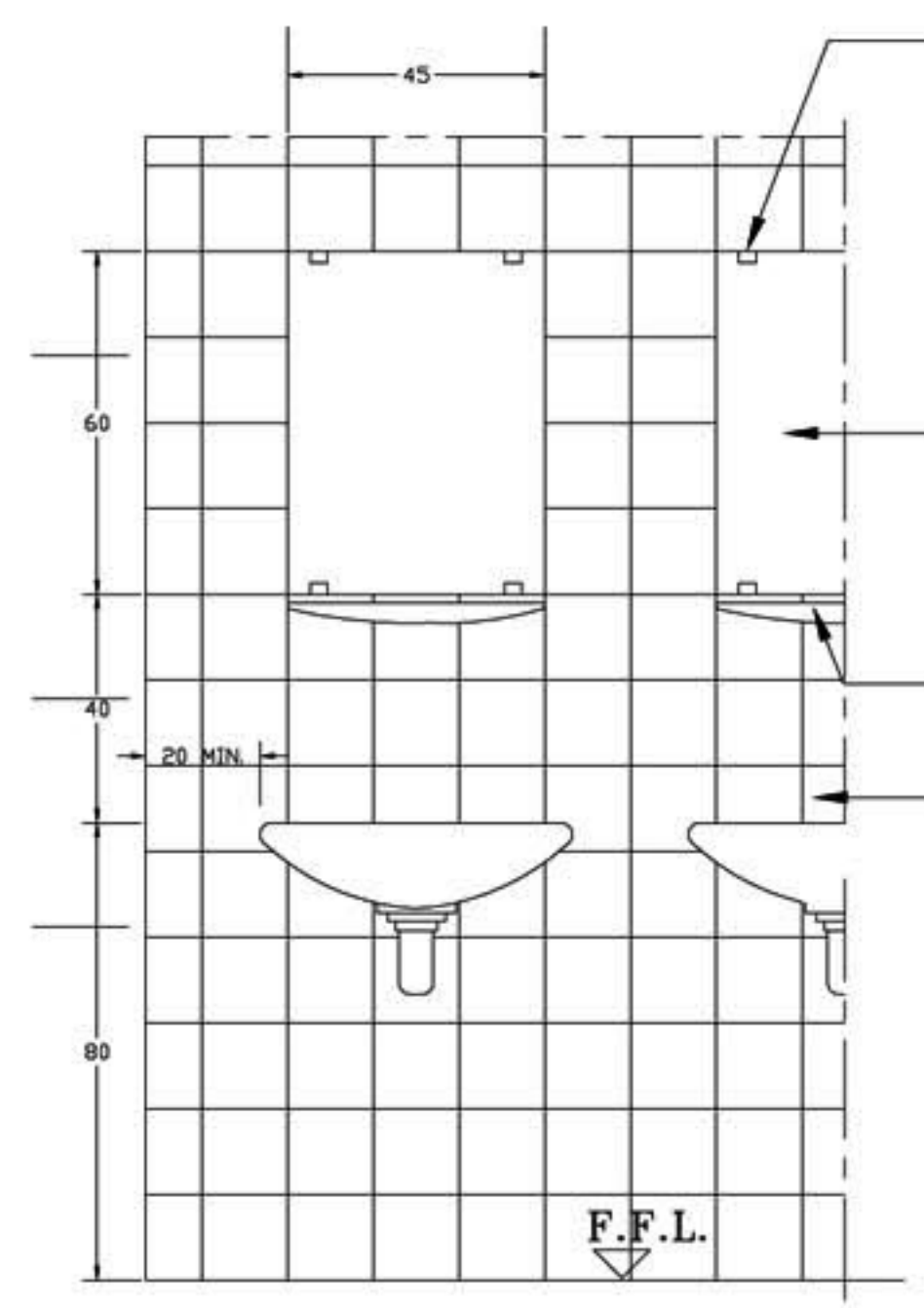


**MATERIAL : VITREOUS CHINA**  
**COLORS : WHITE ONLY**

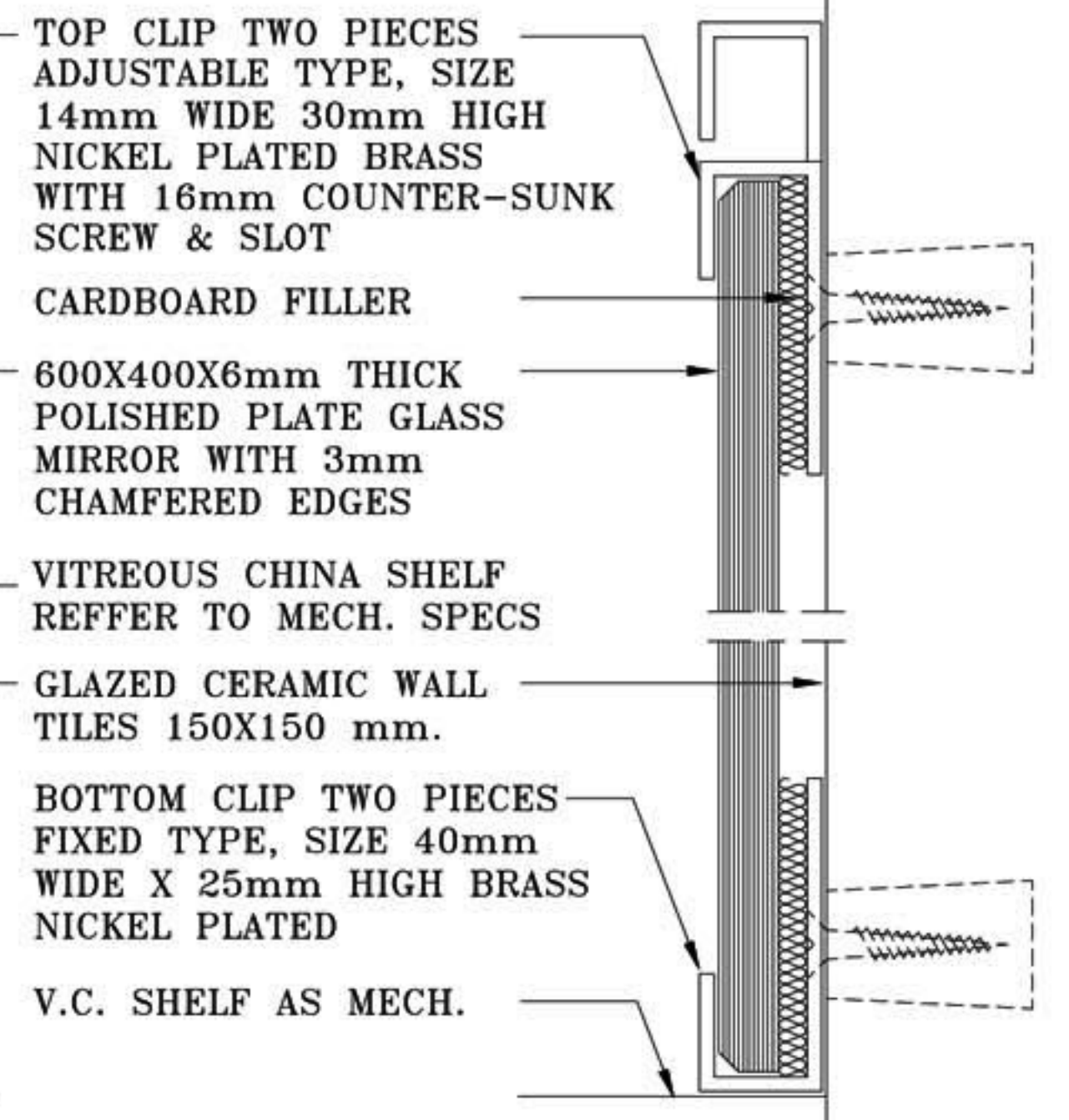
## 5 SKYLIGHTS DETAILS



## 3 MIRROR & SHELF DETAIL



**ELEVATION**  
SCALE: 1/20



**MIRROR FIXING DETAIL**  
SCALE: 1/1